

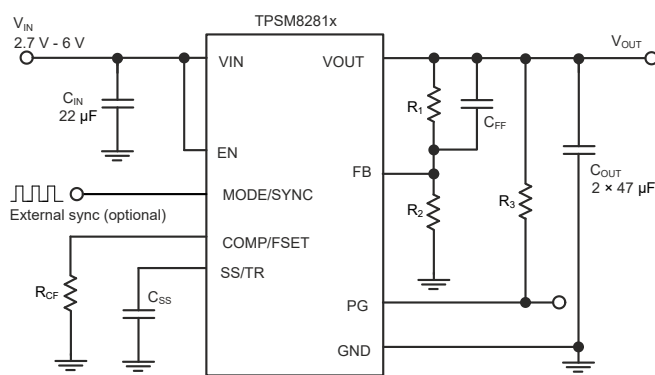
# TPSM8281x 2.7V to 6V Input 4A / 6A Step-Down Power Module with Integrated Inductor, Frequency Synchronization in MicroSiP™ and MagPack™ Package

## 1 Features

- Adjustable and synchronizable switching frequency of 1.8MHz to 4MHz
- Spread spectrum clocking (optional)
- Selectable forced PWM or PFM/PWM operation
- Output voltage accuracy  $\pm 1\%$  (PWM operation)
- Input voltage range: 2.7V to 6V
- Output voltage range: 0.6V to 5.5V
- Adjustable soft-start or tracking
- Power-good output with window comparator
- Precise ENABLE input allows
  - User-defined undervoltage lockout
  - Exact sequencing
- Optimized for low EMI requirements
  - No bond wire package
  - MagPack technology shields inductor and IC
  - Simplified layout through optimized pinout
- 100% duty cycle
- Output discharge
- 18 $\mu$ A typical quiescent current
- 40°C to 125°C operating temperature range
- Max package height: 1.6mm (SIE) / 2.0mm (VCA)
- Excellent thermal performance**
- Pin-to-pin compatible with:
  - SIE: [TPSM82813](#) (3A) and [TPSM82810](#) (4A)
  - VCA (MagPack): [TPSM82811](#) (1A), [TPSM82812](#) (2A), [TPSM82813](#) (3A)

## 2 Applications

- [Optical modules, data center interconnect](#)
- [Test & measurement](#)
- [Patient monitoring and diagnostics](#)
- [Wireless infrastructure](#)
- [Aerospace and defense](#)



**Schematic**

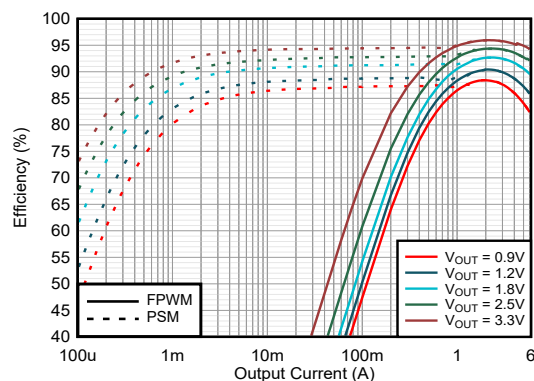
## 3 Description

TPSM8281x are a family of pin-to-pin, 1A, 2A, 3A, 4A, and 6A compatible high efficiency and easy to use synchronous step-down DC/DC power modules with integrated inductors. The devices are based on a fixed-frequency peak current-mode control topology. The devices are used in telecommunication, test and measurement, and medical applications with high power density and ease of use requirements. Low resistance switches allow up to 6A continuous output current at high ambient temperatures. The switching frequency is externally adjustable from 1.8MHz to 4MHz and can also be synchronized to an external clock in the same frequency range. In power save mode, the TPSM8281x automatically enters PFM at light loads to maintain high efficiency across the whole load range. The TPSM8281x provides a 1% output voltage accuracy in PWM mode which helps design a power supply with high output voltage accuracy. The SS/TR pin sets the start-up time or tracks the output voltage to an external source. This action allows external sequencing of different supply rails and limits the inrush current during start-up.

### Device Information

PART NUMBER <sup>(4)</sup>	OUTPUT CURRENT	PACKAGE <sup>(1)</sup>	BODY SIZE (NOM)
TPSM82814 <sup>(2)</sup>	4A	VCA (QFN-FCMOD, 13)	2.5mm × 3.0mm
TPSM82816 <sup>(3)</sup>	6A		
TPSM82816	6A	SIE (uSiP, 14)	3.0mm × 4.0mm

- For more information, see [Section 11](#).
- Preview information (not Production Data).
- Advance Information (not Production Data).
- See the [Device Comparison Table](#).



**TPSM82816PVCA Efficiency;  $V_{IN} = 5V$**



## Table of Contents

<b>1 Features</b> .....	<b>1</b>	<b>8 Application and Implementation</b> .....	<b>16</b>
<b>2 Applications</b> .....	<b>1</b>	8.1 Application Information.....	16
<b>3 Description</b> .....	<b>1</b>	8.2 Typical Application.....	16
<b>4 Device Comparison Table</b> .....	<b>3</b>	8.3 System Examples.....	24
<b>5 Pin Configuration and Functions</b> .....	<b>4</b>	8.4 Power Supply Recommendations.....	25
<b>6 Specifications</b> .....	<b>6</b>	8.5 Layout.....	26
6.1 Absolute Maximum Ratings.....	6	<b>9 Device and Documentation Support</b> .....	<b>28</b>
6.2 ESD Ratings.....	6	9.1 Device Support.....	28
6.3 Recommended Operating Conditions.....	6	9.2 Documentation Support.....	28
6.4 Thermal Information.....	7	9.3 Receiving Notification of Documentation Updates....	28
6.5 Electrical Characteristics.....	7	9.4 Support Resources.....	28
6.6 Typical Characteristics.....	9	9.5 Trademarks.....	28
<b>7 Detailed Description</b> .....	<b>10</b>	9.6 Electrostatic Discharge Caution.....	28
7.1 Overview.....	10	9.7 Glossary.....	28
7.2 Functional Block Diagram.....	10	<b>10 Revision History</b> .....	<b>29</b>
7.3 Feature Description.....	11	<b>11 Mechanical, Packaging, and Orderable Information</b> .....	<b>29</b>
7.4 Device Functional Modes.....	14		

## 4 Device Comparison Table

DEVICE NUMBER <sup>(1)</sup>	OUTPUT CURRENT	SPREAD SPECTRUM CLOCKING	BODY SIZE (NOM)
TPSM82814PVCAR <sup>(2)</sup>	4 A	Set by COMP / FSET pin	2.5 mm × 3.0 mm × 1.95 mm
TPSM82816PVCAR <sup>(3)</sup>	6 A		
TPSM82816SIER	6 A		3.0 mm × 4.0 mm × 1.6 mm

- (1) For all available packages, see [Section 11](#).
- (2) Product Preview (not Production Data).
- (3) Advance Information (not Production Data).

## 5 Pin Configuration and Functions

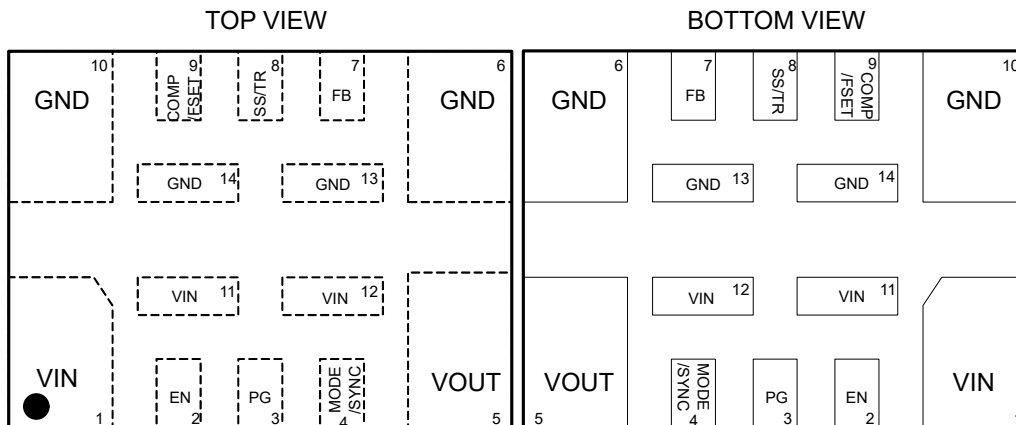


Figure 5-1. uSiP 14-Pin SIE Package

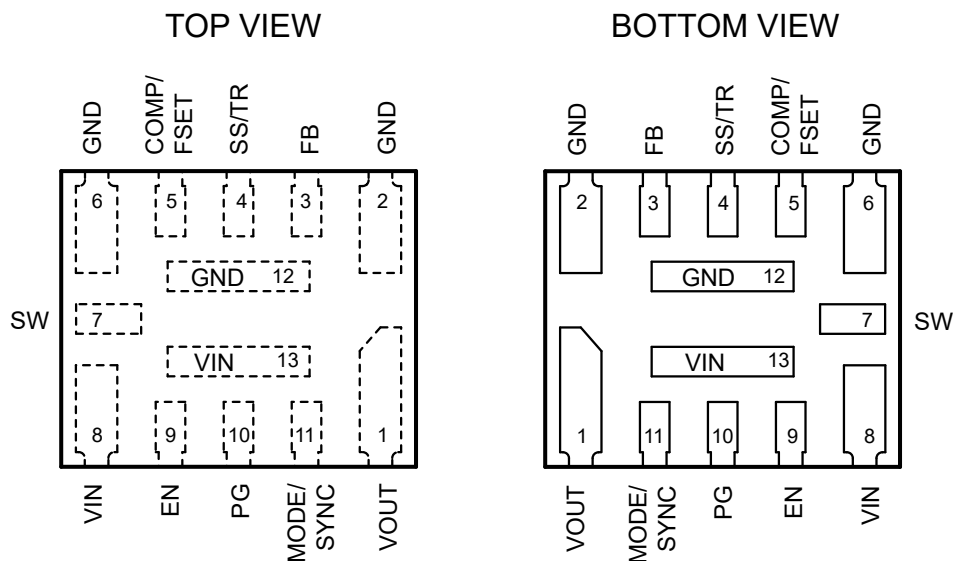


Figure 5-2. QFN 13-Pin VCA Package

Table 5-1. Pin Functions

NAME	PIN		TYPE <sup>(1)</sup>	DESCRIPTION
	SIE	VCA		
EN	2	9	I	This pin is the enable pin of the device. Connect to logic low to disable the device. Pull high to enable the device. Do not leave this pin unconnected.
FB	7	3	I	Voltage feedback input. Connect the output voltage resistor divider to this pin.
GND	6, 10, 13, 14	2, 6, 12		Ground pin
MODE/ SYNC	4	11	I	The device runs in PSM (auto PFM/PWM transition) mode when this pin is pulled low. When the pin is pulled high, the device runs in forced PWM mode. Do not leave this pin unconnected. The MODE/SYNC pin can also be used to synchronize the device to an external frequency. See <a href="#">Synchronizing to an External Clock</a> .
COMP/ FSET	9	5	I	Device compensation and frequency set input. A resistor from this pin to GND defines the compensation of the control loop as well as the switching frequency if not externally synchronized. The switching frequency is set to 2.25 MHz if the pin is tied to GND or VIN. Spread spectrum is also enabled and disabled by this pin. See <a href="#">COMP/FSET</a> . Do not leave this pin unconnected.

**Table 5-1. Pin Functions (continued)**

NAME	PIN		TYPE <sup>(1)</sup>	DESCRIPTION
	SIE	VCA		
PG	3	10	O	Open-drain power-good output with window comparator. This pin is pulled to GND while VOUT is outside the power-good threshold. This pin can be left open or tied to GND if not used. A pullup resistor can be connected to any voltage not larger than VIN.
SS/TR	8	4	I	Soft-start, tracking pin. A capacitor connected from this pin to GND defines the output voltage rise time. The pin can also be used as an input for tracking and sequencing - see <a href="#">Voltage Tracking</a> .
VOUT	5	1		Output voltage pin. This pin is internally connected to the integrated inductor.
VIN	1, 11, 12	8, 13		Power supply input. Connect the input capacitor as close as possible between the VIN and GND pins.
SW	—	7	O	Switch pin of the power stage. This pin can be left floating.

(1) I = input, O = output

## 6 Specifications

### 6.1 Absolute Maximum Ratings

over operating temperature range (unless otherwise noted)<sup>(1)</sup>

		MIN	MAX	UNIT
Pin voltage <sup>(2)</sup>	VIN, EN, MODE/SYNC	-0.3	6.5	V
	SW	-0.3	V <sub>IN</sub> +0.3	V
	SW (transient for less than 10 ns) <sup>(3)</sup>	-3	10	V
	FB	-0.3	4	V
	COMP/FSET, PG, SS/TR, VOUT	-0.3	V <sub>IN</sub> + 0.3	V
I <sub>SINK_PG</sub>	Sink Current at PG pin		10	mA
T <sub>J</sub>	Operating junction temperature	-40	125	°C
T <sub>stg</sub>	Storage temperature	-40	125	°C

- (1) Operation outside the Absolute Maximum Ratings may cause permanent device damage. Absolute Maximum Ratings do not imply functional operation of the device at these or any other conditions beyond those listed under Recommended Operating Conditions. If used outside the Recommended Operating Conditions but within the Absolute Maximum Ratings, the device may not be fully functional, and this may affect device reliability, functionality, performance, and shorten the device lifetime.
- (2) All voltage values are with respect to the network ground terminal
- (3) While switching

### 6.2 ESD Ratings

			VALUE	UNIT
V <sub>(ESD)</sub>	Electrostatic discharge	Human body model (HBM), per ANSI/ESDA/JEDEC JS-001, all pins <sup>(1)</sup>	±2000	V
		Charged device model (CDM), per ANSI/ESDA/JEDEC JS-002, all pins <sup>(2)</sup>	±750	

- (1) JEDEC document JEP155 states that 500-V HBM allows safe manufacturing with a standard ESD control process.
- (2) JEDEC document JEP157 states that 250-V CDM allows safe manufacturing with a standard ESD control process.

### 6.3 Recommended Operating Conditions

		MIN	NOM	MAX	UNIT
V <sub>IN</sub>	Input voltage range	2.7		6	V
V <sub>OUT</sub>	Output voltage range	0.6		5.5	V
I <sub>OUT</sub>	Output current	0		6	A
C <sub>OUT</sub>	Effective output capacitance <sup>(1)</sup>	32 × V / V <sub>OUT</sub>		470	μF
C <sub>IN</sub>	Effective input capacitance <sup>(1)</sup>	5	10		μF
R <sub>CF</sub>		4.5		100	kΩ
I <sub>SINK_PG</sub>	Sink current at PG pin	0		2	mA
T <sub>J</sub>	Junction temperature	-40		125	°C

- (1) The values given for all the capacitors in the table are effective capacitance, which includes the DC bias effect. Due to the DC bias effect of ceramic capacitors, the effective capacitance is lower than the nominal value when a voltage is applied. Please check the manufacturer's DC bias curves for the effective capacitance vs DC voltage applied. Please see the feature description for COMP/FSET about the output capacitance vs compensation setting and output voltage.

## 6.4 Thermal Information

THERMAL METRIC <sup>(1)</sup>		TPSM8281x				UNIT
		SIE (14 PINS)		VCA (13 PINS)		
		JEDEC 51-5	EVM	JEDEC 51-7	EVM	
R <sub>θJA</sub>	Junction-to-ambient thermal resistance	45.3	32.2	72.1	26.6	°C/W
R <sub>θJC(top)</sub>	Junction-to-case (top) thermal resistance	29	n/a <sup>(2)</sup>	37.2	n/a <sup>(2)</sup>	°C/W
R <sub>θJB</sub>	Junction-to-board thermal resistance	27.4	n/a <sup>(2)</sup>	21.2	n/a <sup>(2)</sup>	°C/W
Ψ <sub>JT</sub>	Junction-to-top characterization parameter	5.7	7.2	(-0.4) <sup>(3)</sup>	(-1.9) <sup>(3)</sup>	°C/W
Ψ <sub>JB</sub>	Junction-to-board characterization parameter	16.2	12.7	20.8	10.1	°C/W

(1) For more information about thermal metrics, see the [Semiconductor and IC Package Thermal Metrics](#) application note.

(2) Not applicable to an EVM.

(3) The junction temperature is lower than the inductor temperature leading to a temperature increase towards the top of the package

## 6.5 Electrical Characteristics

Over operating junction temperature range (T<sub>J</sub> = -40°C to +125°C) and V<sub>IN</sub> = 2.7 V to 6 V. Typical values at V<sub>IN</sub> = 5 V and T<sub>J</sub> = 25°C. (unless otherwise noted)

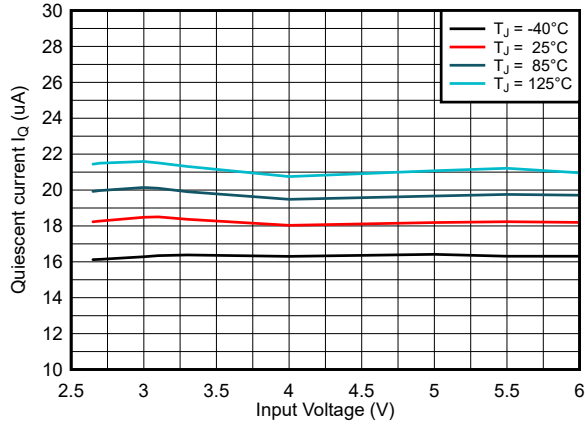
PARAMETER		TEST CONDITIONS	MIN	TYP	MAX	UNIT
<b>SUPPLY</b>						
I <sub>Q</sub>	Quiescent current	EN = High, no load, device not switching, MODE/SYNC = GND, V <sub>OUT</sub> = 0.6 V		18	36	μA
I <sub>SD</sub>	Shutdown current	EN = GND		0.15	90	μA
V <sub>UVLO</sub>	Undervoltage lockout threshold	V <sub>IN</sub> rising	2.45	2.6	2.7	V
		V <sub>IN</sub> falling	2.1	2.5	2.6	V
T <sub>JSD</sub>	Thermal shutdown threshold	T <sub>J</sub> rising		180		°C
	Thermal shutdown hysteresis	T <sub>J</sub> falling		15		°C
<b>CONTROL and INTERFACE</b>						
V <sub>IH,EN</sub>	Input threshold voltage	EN rising	1.05	1.1	1.15	V
V <sub>IL,EN</sub>	Input threshold voltage	EN falling	0.96	1.0	1.05	V
I <sub>IH,EN</sub>	Input leakage current into EN	EN = VIN or GND			125	nA
V <sub>IH</sub>	Input-threshold voltage at MODE/SYNC		1.1			V
V <sub>IL</sub>	Input-threshold voltage at MODE/SYNC				0.3	V
I <sub>IH</sub>	Input leakage current into MODE/SYNC				250	nA
f <sub>SW</sub>	PWM switching frequency range	MODE/SYNC = high	1.8	2.25	4	MHz
f <sub>SW</sub>	PWM switching frequency	COMP/FSET = GND or V <sub>IN</sub>	2.08	2.25	2.4	MHz
f <sub>SW</sub>	PWM switching frequency tolerance	using a resistor from COMP/FSET to GND	-12%		12%	
f <sub>SYNC</sub>	Frequency range on MODE/SYNC pin for synchronization		1.8		4	MHz
t <sub>Sync_lock</sub>	Time to lock to external frequency			50		μs
	Duty cycle of synchronization signal at MODE/SYNC		20%		80%	
t <sub>Delay</sub>	Enable delay time	Time from EN high to device starts switching; V <sub>IN</sub> applied already	135	270	520	μs
t <sub>Ramp</sub>	Output voltage ramp time, SS/TR pin open	I <sub>OUT</sub> = 0 mA, time from device starts switching to power good; device not in current limit	90	150	220	μs
I <sub>SS/TR</sub>	SS/TR source current		8	10	12	μA
R <sub>DIS,SS/TR</sub>	Internal discharge resistance on SS/TR	EN = low	0.7	1.1	1.5	kΩ
	Tracking gain	V <sub>FB</sub> / V <sub>SS/TR</sub>		1		

## 6.5 Electrical Characteristics (continued)

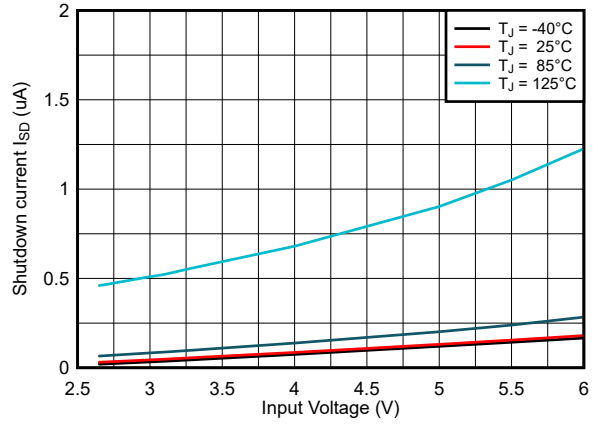
Over operating junction temperature range ( $T_J = -40^\circ\text{C}$  to  $+125^\circ\text{C}$ ) and  $V_{IN} = 2.7\text{ V}$  to  $6\text{ V}$ . Typical values at  $V_{IN} = 5\text{ V}$  and  $T_J = 25^\circ\text{C}$ . (unless otherwise noted)

PARAMETER		TEST CONDITIONS	MIN	TYP	MAX	UNIT
	Tracking offset	$V_{FB}$ when $V_{SS/TR} = 0\text{ V}$		$\pm 1$		mV
$V_{TH\_PG}$	UVP Power-good threshold voltage; dc level	$V_{OUT}$ rising ( $\%V_{FB}$ )	92%	95%	98%	
		$V_{OUT}$ falling ( $\%V_{FB}$ )	87%	90%	93%	
$V_{TH\_PG}$	OVP Power-good threshold voltage; dc level	$V_{OUT}$ rising ( $\%V_{FB}$ )	107%	110%	113%	
		$V_{OUT}$ falling ( $\%V_{FB}$ )	104%	107%	111%	
$V_{OL\_PG}$	Low-level output voltage at PG	$I_{SINK\_PG} = 2\text{ mA}$		0.01	0.3	V
$I_{IH\_PG}$	Input leakage current into PG	$V_{PG} = 5\text{ V}$			100	nA
$t_{PG\_DLY}$	PG deglitch time	for a high level to low level transition on the Power-good output		40		$\mu\text{s}$
<b>OUTPUT</b>						
$V_{FB}$	Feedback voltage			0.6		V
	Feedback voltage accuracy	PWM mode, $V_{IN} \geq V_{OUT} + 1\text{ V}$	-1%		1%	
		PFM mode, $V_{IN} \geq V_{OUT} + 1\text{ V}$ , $V_{OUT} \geq 1.5\text{ V}$ , $C_{o,eff} \geq 47\text{ }\mu\text{F}$	-1%		2%	
		PFM mode, $V_{IN} \geq V_{OUT} + 1\text{ V}$ , $V_{OUT} < 1.5\text{ V}$ , $C_{o,eff} \geq 68\text{ }\mu\text{F}$	-1%		2.5%	
Feedback voltage accuracy with voltage tracking	$V_{IN} \geq V_{OUT} + 1\text{ V}$ , $V_{SS/TR} = 0.3\text{ V}$ , PWM mode	-5%		5%		
$I_{IH\_FB}$	Input leakage current into FB	$V_{FB} = 0.6\text{ V}$		1	70	nA
	Load regulation	PWM mode		0.05		%/A
$R_{DIS}$	Output discharge resistance			30	50	$\Omega$
$t_{on,min}$	Minimum on-time of high-side FET	$V_{IN} \geq 3.3\text{ V}$		45	67	ns
$R_{DP}$	Dropout resistance TPSM82816SIE	100% mode		27		m $\Omega$
$R_{DP}$	Dropout resistance TPSM82816PVCA, TPSM82816PVCA	100% mode		23		m $\Omega$
$I_{LIMH}$	High-side FET switch current limit TPSM82814	DC value, $V_{IN} = 3\text{ V}$ to $6\text{ V}$	5.3	7.2	8.4	A
$I_{LIMH}$	High-side FET switch current limit TPSM82816	DC value, $V_{IN} = 3\text{ V}$ to $6\text{ V}$	7.3	9.2	10.4	A
$I_{LIMNEG}$	Low-side FET negative current limit	DC value, MODE/SYNC = high		-3		A

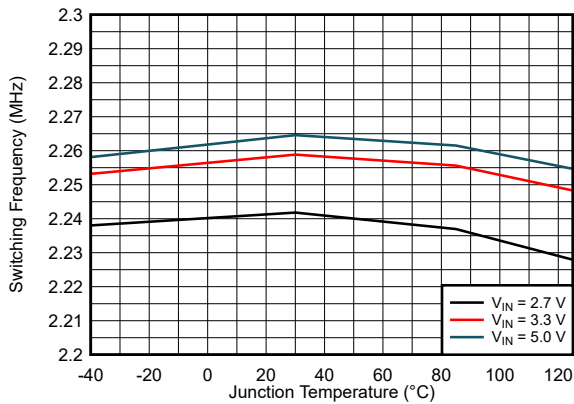
## 6.6 Typical Characteristics



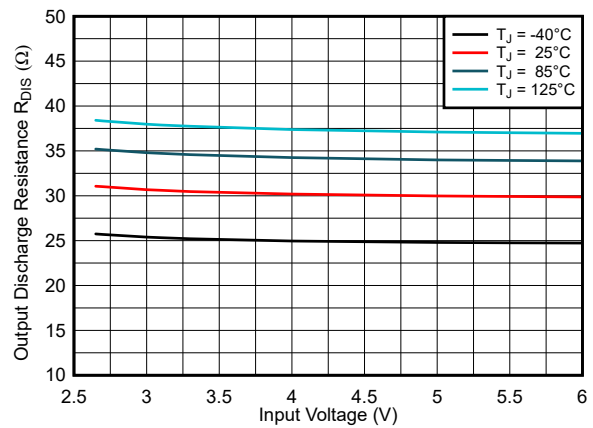
**Figure 6-1. Quiescent Current**



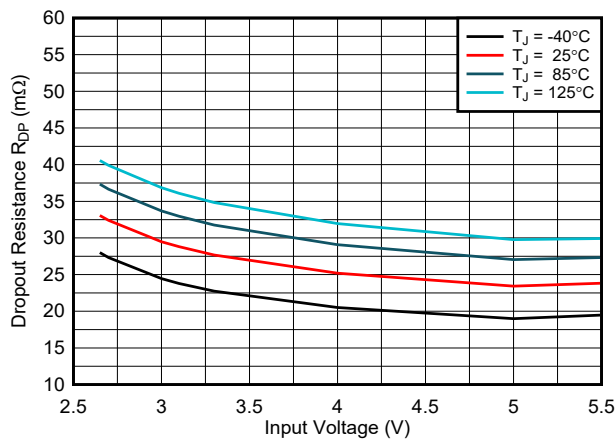
**Figure 6-2. Shutdown Current**



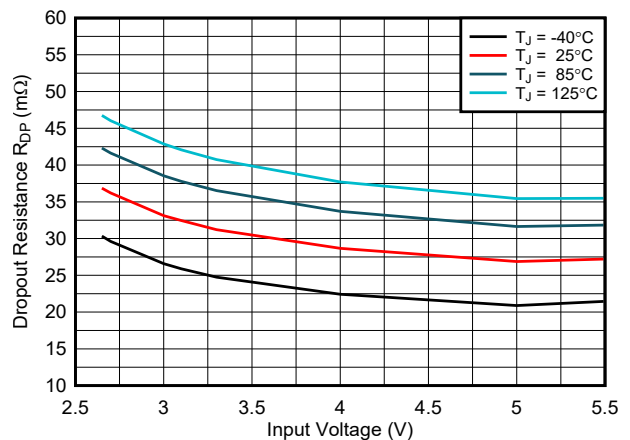
**Figure 6-3. Oscillator Frequency (COMP/FSET = VIN)**



**Figure 6-4. Discharge Resistance**



**Figure 6-5. Dropout Resistance TPSM8281xPVCA**



**Figure 6-6. Dropout Resistance TPSM82816SIE**

## 7 Detailed Description

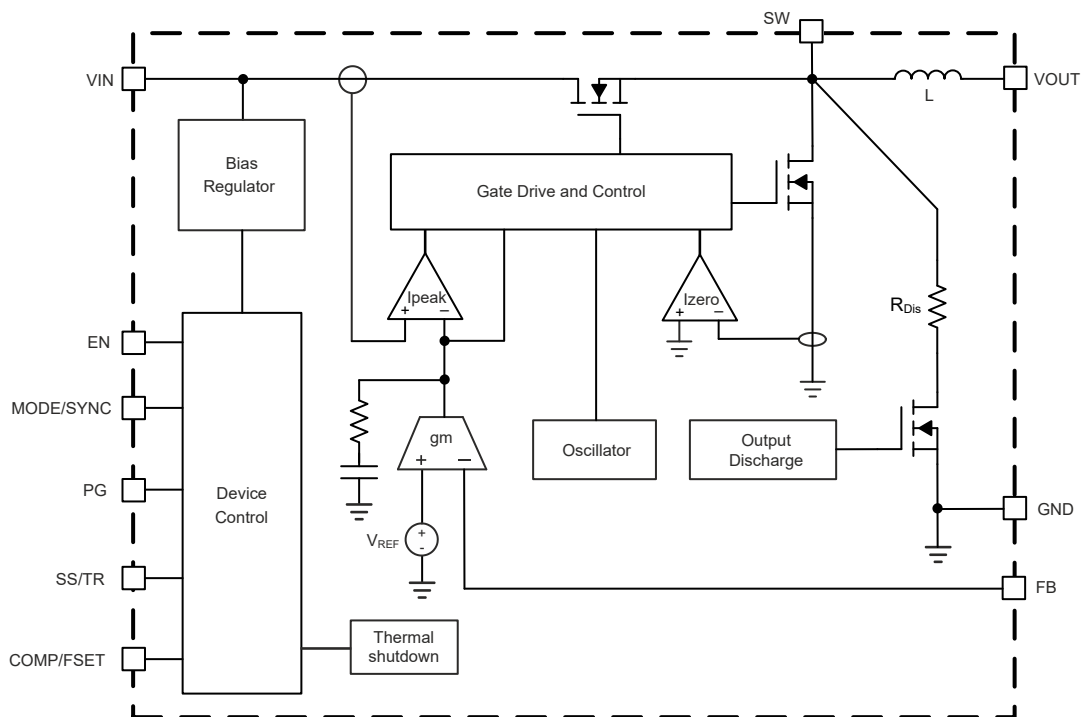
### 7.1 Overview

The TPSM8281x synchronous switch mode DC/DC converter power modules are based on a fixed-frequency peak current-mode control topology. The control loop is internally compensated. To optimize the bandwidth of the control loop to the wide range of output capacitance that can be used with the TPSM8281x, one of two internal compensation settings can be selected. See [COMP/FSET](#). The compensation setting is selected either by a resistor from COMP/FSET to GND or by the logic state of this pin. The regulation network achieves fast and stable operation with small external components and low-ESR ceramic output capacitors.

The device supports forced fixed frequency operation (FPWM) with the MODE/SYNC pin tied to a logic high level. The frequency is defined as either 2.25 MHz (internally fixed when COMP/FSET is tied to GND or VIN) or in a range of 1.8 MHz to 4 MHz (defined by a resistor from COMP/FSET to GND). Alternatively, the device can be synchronized to an external clock signal in a range from 1.8 MHz to 4 MHz, applied to the MODE/SYNC pin with no need for additional passive components. An internal PLL allows the device to change from internal clock to external clock during operation. The synchronization to the external clock is done on the falling edge of the clock applied at MODE/SYNC to the rising edge on the internal SW node. When the MODE/SYNC pin is set to a logic low level, the device operates in power save mode (PSM). At low output current, the device operates in PFM mode and automatically transitions to fixed-frequency PWM mode at higher output current. In PFM operation, the switching frequency decreases linearly based on the load to sustain high efficiency down to very low output current (see [Power Save Mode Operation \(PSM\)](#) for more details).

The TPSM8281xP versions in the VCA package utilize MagPack technology to deliver the highest-performance power module design. Leveraging our proprietary integrated-magnetics packaging technology, MagPack (magnetics in package) power modules deliver industry-leading power density, high efficiency and good thermal performance, ease of use, and reduced EMI emissions.

### 7.2 Functional Block Diagram



## 7.3 Feature Description

### 7.3.1 Precise Enable (EN)

The TPSM8281x starts operation when the rising EN threshold is exceeded. For proper operation, the EN pin must be terminated and must not be left floating. Pulling the EN pin low forces the device into shutdown. In this mode, the internal high-side and low-side MOSFETs are turned off and the entire internal control circuitry is switched off. The voltage applied at the EN pin of the TPSM8281x is compared to a fixed threshold of 1.1 V for a rising voltage.

The enable input threshold for a falling edge is typically 100 mV lower than the rising edge threshold. The Precise Enable input provides a user-programmable undervoltage lockout by adding a resistor divider to the input of the EN pin. The Precise Enable input also allows you to drive the pin by a slowly changing voltage and enables the use of an external RC network to achieve a precise power-up delay. See the [Achieving a Clean Start-up by Using a DC/DC Converter with a Precise Enable-pin Threshold Technical Brief](#) for more details.

### 7.3.2 Output Discharge

The purpose of the discharge function is to make sure of a defined down-ramp of the output voltage when the device is being disabled, but also to keep the output voltage close to 0 V when the device is off. The output discharge feature is only active after the TPSM8281x has been enabled at least once since the supply voltage was applied. The discharge function is enabled as soon as the device is disabled, in thermal shutdown, or in undervoltage lockout. The minimum supply voltage required for the discharge function to remain active is typically 2 V. Output discharge is not activated during a current limit event.

### 7.3.3 COMP/FSET

This pin allows the user to set three different parameters independently:

- Internal compensation settings for the control loop (two settings available)
- The switching frequency in PWM mode from 1.8 MHz to 4 MHz
- Enable / disable spread spectrum clocking (SSC)

A resistor from COMP/FSET to GND changes the compensation as well as the switching frequency. The change in compensation allows the user to adopt the device to different values of output capacitance. The resistor must be placed close to the pin to keep the parasitic capacitance on the pin to a minimum. The compensation setting is sampled at the start-up of the converter, so a change in the resistor during operation only has an effect on the switching frequency, but not on the compensation.

To save external components, the pin can also be directly tied to VIN or GND to set a pre-defined switching frequency or compensation. Do not leave the pin floating.

The switching frequency has to be selected based on the maximum input voltage in the application and the output voltage to meet the specifications for the minimum on time.

Example:  $V_{IN} = 5.5 \text{ V}$ ,  $V_{OUT} = 1 \text{ V}$

$$f_{Sw,max} = \frac{V_{OUT}}{V_{IN} \times t_{ON,min}} = \frac{1 \text{ V}}{5.5 \text{ V} \times 67 \text{ ns}} = 2.71 \text{ MHz} \quad (1)$$

The compensation range has to be chosen based on the effective minimum capacitance used. The capacitance can be increased from the minimum value as given in [Table 7-1](#), up to the maximum of 470  $\mu\text{F}$  in both compensation ranges. If the capacitance of an output changes during operation, for example when load switches are used to connect or disconnect parts of the circuitry, the compensation has to be chosen for the minimum capacitance on the output. If the output capacitance exceeds  $72 \mu\text{F} \times V / V_{OUT}[\text{V}]$ , use the second compensation setting to get the best load transient response. If the output capacitance only exceeds  $32 \mu\text{F} \times V / V_{OUT}[\text{V}]$ , use the first compensation setting. Compensating for large output capacitance but having too little effective capacitance on the output can lead to instability.

The switching frequency for the different compensation setting is determined by the following equations.

For compensation (comp) setting 1 with spread spectrum clocking (SSC) disabled:

$$R_{CF} [k\Omega] = \frac{18 \text{ MHz} \times k\Omega}{f_S [\text{MHz}]} \quad (2)$$

For compensation (comp) setting 1 with spread spectrum clocking (SSC) enabled:

$$R_{CF} [k\Omega] = \frac{60 \text{ MHz} \times k\Omega}{f_S [\text{MHz}]} \quad (3)$$

For compensation (comp) setting 2 with spread spectrum clocking (SSC) disabled:

$$R_{CF} [k\Omega] = \frac{180 \text{ MHz} \times k\Omega}{f_S [\text{MHz}]} \quad (4)$$

**Table 7-1. Switching Frequency and Compensation**

COMPENSATION	R <sub>CF</sub>	SWITCHING FREQUENCY	MINIMUM OUTPUT CAPACITANCE
For smallest output capacitance (comp setting 1) SSC disabled	10 kΩ ... 4.5 kΩ	1.8 MHz (10 kΩ) ... 4 MHz (4.5 kΩ) according to <a href="#">Equation 2</a>	32 μF × V / V <sub>OUT</sub> [V]
For smallest output capacitance (comp setting 1) SSC enabled	33 kΩ ... 15 kΩ	1.8 MHz (33 kΩ) ... 4 MHz (15 kΩ) according to <a href="#">Equation 3</a>	32 μF × V / V <sub>OUT</sub> [V]
For best transient response (larger output capacitance) (comp setting 2) SSC disabled	100 kΩ ... 45 kΩ	1.8 MHz (100 kΩ) ... 4 MHz (45 kΩ) according to <a href="#">Equation 4</a>	72 μF × V / V <sub>OUT</sub> [V]
For smallest output capacitance (comp setting 1) SSC disabled	Tied to GND	Internally fixed 2.25 MHz	32 μF × V / V <sub>OUT</sub> [V]
For best transient response (larger output capacitance) (comp setting 2) SSC enabled	Tied to V <sub>IN</sub>	Internally fixed 2.25 MHz	72 μF × V / V <sub>OUT</sub> [V]

The minimum output capacitance required for stability depends on the output voltage as stated in [Table 7-1](#). Refer to [Output Capacitor](#) for further details on the output capacitance required depending on the output voltage.

A too-high resistor value for R<sub>CF</sub> is decoded as "tied to V<sub>IN</sub>" and a value below the lowest range is decoded as "tied to GND". The minimum output capacitance in [Table 7-1](#) is for capacitors close to the output of the device. If the capacitance is distributed, a lower compensation setting can be required.

### 7.3.4 MODE/SYNC

When MODE/SYNC is set low, the device operates in PWM or PFM mode, depending on the output current. The MODE/SYNC pin forces PWM mode when set high. The pin also allows you to apply an external clock in a frequency range from 1.8 MHz to 4 MHz for external synchronization. When an external clock is applied, the device only operates in PWM mode. As with the switching frequency selection, the specification for the minimum on-time has to be observed when applying the external clock signal. When using external synchronization, TI recommends to set the switching frequency (as set by R<sub>CF</sub>) to a similar value as the externally applied clock. This ensures that, if the external clock fails, the switching frequency stays in the same range and the settling time to the internal clock is reduced. When there is no resistor from COMP/FSET to GND, but the pin is pulled high or low, external synchronization is not possible. An internal PLL allows you to change from an internal clock to external clock during operation. The synchronization to the external clock is done on the falling edge of the applied clock to the rising edge of the internal SW pin (see [Synchronizing to an External Clock](#)). The MODE/SYNC pin can be changed during operation.

### 7.3.5 Spread Spectrum Clocking (SSC)

The device offers spread spectrum clocking as an option, set by the COMP/FSET pin. When SSC is enabled, the switching frequency is randomly changed in PWM mode when the internal clock is used. The frequency

variation is typically between the nominal switching frequency and up to 288 kHz above the nominal switching frequency. When the device is externally synchronized, the TPSM8281x follows the external clock and the internal spread spectrum block is turned off. SSC is also disabled during soft start.

### 7.3.6 Undervoltage Lockout (UVLO)

If the input voltage drops, the undervoltage lockout prevents mis-operation of the device by switching off both the MOSFETs. The device is fully operational for voltages above the rising UVLO threshold and turns off if the input voltage goes below the falling threshold.

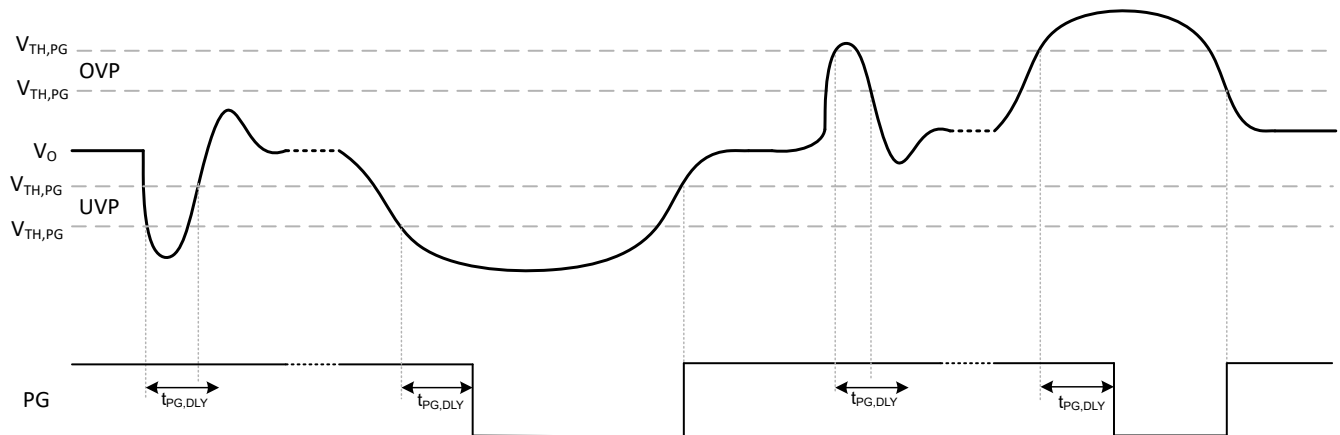
### 7.3.7 Power-Good Output (PG)

The device has a power-good output with window comparator. The PG pin goes high impedance after the FB pin voltage is above 95% and less than 107% of the nominal voltage, and is driven low after the voltage falls below 90% or rises higher than 110% of the nominal voltage (typical). Table 7-2 shows the typical PG pin logic. The PG pin is an open-drain output and is specified to sink up to 2 mA. The power good output requires a pullup resistor connected to any voltage rail less than VIN. The PG signal can be used for sequencing of multiple rails by connecting to the EN pin of other converters. If not used, the PG pin can be left floating or connected to GND.

**Table 7-2. Power-Good Pin Logic**

DEVICE STATE		PG LOGIC STATUS	
		HIGH IMPEDANCE	LOW
Enabled (EN = High)	$0.95 \times V_{FB\_NOM} \leq V_{FB} \leq 1.07 \times V_{FB\_NOM}$	√	
	$V_{FB} < 0.9 \times V_{FB\_NOM}$ or $V_{FB} > 1.1 \times V_{FB\_NOM}$		√
Shutdown (EN = Low)			√
UVLO	$2 V \leq V_{IN} < V_{UVLO}$		√
Thermal Shutdown	$T_J > T_{JSD}$		√
Power Supply Removal	$V_{IN} < 2 V$	undefined	

The PG pin has a 40-μs deglitch time on the falling edge. See Figure 7-1.



**Figure 7-1. Power-Good Transient and Delay Behavior**

### 7.3.8 Thermal Shutdown

The junction temperature ( $T_J$ ) of the device is monitored by an internal temperature sensor. If  $T_J$  exceeds 180°C (typical), the device goes into thermal shutdown. Both the high-side and low-side power FETs are turned off and PG goes low. When  $T_J$  decreases below the hysteresis amount of typically 15°C, the converter resumes normal operation, beginning with soft start. During PFM the thermal shutdown is not active.

## 7.4 Device Functional Modes

### 7.4.1 Pulse Width Modulation (PWM) Operation

The TPSM8281x have two operating modes: Forced PWM mode (FPWM) and Power Save Mode (PSM).

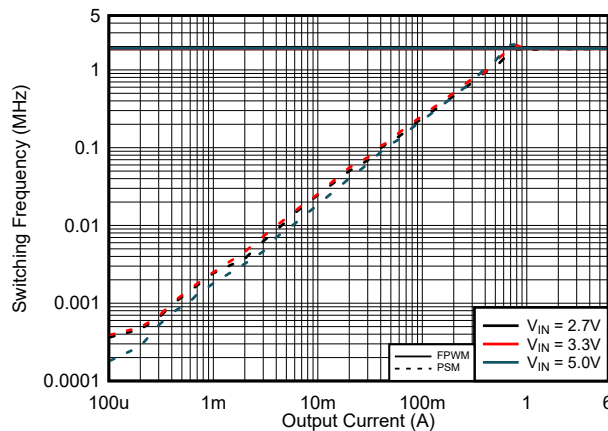
With the MODE/SYNC pin set to high, the TPSM8281x operates with pulse width modulation (PWM) in continuous conduction mode (CCM). The switching frequency is either defined by a resistor from the COMP/FSET pin to GND or by an external clock signal applied to the MODE/SYNC pin.

With the MODE/SYNC pin set to low, the TPSM8281x operates with pulse frequency modulation (PFM) during light load and automatically transitions into PWM as the load current increases.

### 7.4.2 Power Save Mode Operation (PSM)

When the MODE/SYNC pin is low, power save mode is allowed. The device operates in PWM mode as long as the peak inductor current is above the PFM threshold of about 1.8 A. When the peak inductor current drops below the PFM threshold, the device starts to skip switching pulses. The frequency set with the resistor on COMP/FSET must be in a range of 1.8 MHz to 3.5 MHz.

In power save mode, the switching frequency decreases linearly with the load current to maintain high efficiency. The linear behavior of the switching frequency in power save mode is shown in [Figure 7-2](#).



**Figure 7-2. Switching Frequency versus Output Current ( $V_{OUT} = 1.8\text{ V}$ ,  $R_{CF} = 10\text{ k}\Omega$ )**

### 7.4.3 100% Duty-Cycle Operation

The device offers a low input-to-output voltage differential by entering 100% duty cycle mode. When the minimum off-time of typically 15 ns is reached, the TPSM8281x skips switching cycles while approaching 100% mode. In 100% mode, the high-side MOSFET switch is constantly turned on. The minimum input voltage to maintain a minimum output voltage is given by:

$$V_{IN(\min)} = V_{OUT(\min)} + I_{OUT} \times R_{DP} \quad (5)$$

where:

- $R_{DP}$  is the resistance from  $V_{IN}$  to  $V_{OUT}$ , which includes the high-side MOSFET on-resistance and DC resistance of the inductor
- $V_{OUT(\min)}$  is the minimum output voltage the load can accept

This operation mode is particularly useful in battery-powered applications to achieve longest operation time by taking full advantage of the whole battery voltage range.

#### 7.4.4 Current Limit and Short-Circuit Protection

The TPSM8281x is protected against overload and short circuit events. If the inductor current exceeds the current limit  $I_{LIMH}$ , the high-side MOSFET is turned off and the low-side MOSFET is turned on to ramp down the inductor current. The high-side MOSFET turns on again only if the current in the low-side MOSFET has decreased below the low-side current limit. Due to internal propagation delays, the actual current can exceed the static current limit. The dynamic current limit is given as:

$$I_{peak}(typ) = I_{LIMH} + \frac{V_L}{L} \times t_{PD} \quad (6)$$

where

- $I_{LIMH}$  is the static current limit, as specified in the electrical characteristics
- $L$  is the effective inductance
  - SIE: typically 220 nH
  - VCA (MagPack): typically 200 nH
- $V_L$  is the voltage across the inductor ( $V_{IN} - V_{OUT}$ )
- $t_{PD}$  is the internal propagation delay of typically 50 ns

The dynamic peak current is calculated as follows:

$$I_{peak}(typ) = I_{LIMH} + \frac{V_{IN} - V_{OUT}}{L} \times 50 \text{ ns} \quad (7)$$

The low-side MOSFET also contains a negative current limit to prevent excessive current from flowing back through the inductor to the input. If the low-side sinking current limit is exceeded, the low-side MOSFET is turned off. In this scenario, both MOSFETs are off until the start of the next cycle. The negative current limit is only active in Forced PWM mode.

#### 7.4.5 Soft Start / Tracking (SS/TR)

The soft-start circuitry controls the output voltage slope during start-up. This action avoids excessive inrush current and makes sure of a controlled output voltage rise time. This action also prevents unwanted voltage drops from high impedance power sources or batteries. When EN is set high, the device starts switching after a delay of about 270  $\mu$ s. Then  $V_{OUT}$  rises with a slope controlled by an external capacitor connected to the SS/TR pin.

A capacitor connected from SS/TR to GND is charged with 10  $\mu$ A by an internal current source during soft start until it reaches the reference voltage of 0.6 V. After reaching 0.6 V, the SS/TR pin voltage is clamped internally while the SS/TR pin voltage keeps rising to a maximum of about 3.3 V. The capacitance required to set a certain ramp-time ( $t_{ramp}$ ) is:

$$C_{SS}[nF] = \frac{10\mu A \times t_{ramp}[ms]}{0.6 V} \quad (8)$$

Leaving the SS/TR pin disconnected provides the fastest start-up ramp of 150  $\mu$ s typically. If the device is set to shutdown (EN = GND), undervoltage lockout, or thermal shutdown, an internal resistor of about 1.1 k $\Omega$  pulls the SS/TR pin to GND to ensure a proper low level. Returning from those states causes a new start-up sequence.

A voltage applied at the SS/TR pin can also be used to track a controller voltage. The output voltage follows this voltage in both directions up and down in forced PWM mode. In PSM mode, the output voltage decreases based on the load current. An external voltage applied on SS/TR is internally clamped to the feedback voltage (0.6 V). TI recommends to set the final value of the external voltage on SS/TR to be slightly above 0.6 V to make sure the device operates with the internal reference voltage when the power-up sequencing is finished. See [Voltage Tracking](#).

## 8 Application and Implementation

### Note

Information in the following applications sections is not part of the TI component specification, and TI does not warrant its accuracy or completeness. TI's customers are responsible for determining suitability of components for their purposes, as well as validating and testing their design implementation to confirm system functionality.

### 8.1 Application Information

The TPSM8281x are synchronous step-down converter power modules. The power inductor is integrated inside the module. The SIE package variant has a shielded inductor with an inductance of 220 nH  $\pm$ 20%.

The VCA MagPack package not only has a 200nH shielded Inductor but also shields the IC for a better EMI performance. With its smaller package size, it also offers a higher power density compared to the SIE package. The 4A and 6A versions in the VCA package give the same efficiency and performance and are different only in their rated output current. The efficiency of the VCA package is up to 4% higher than the SIE package.

The TPSM82813SIL (3A), TPSM82810SIL (4A), and TPSM82816SIE (6A) are pin-to-pin compatible with each other. The TPSM82811PVCA (1A), TPSM82812PVCA (2A), TPSM82813PVCA (3A), TPSM82814PVCA (4A), and TPSM82816PVCA (6A) are also pin-to-pin compatible with each other.

### 8.2 Typical Application

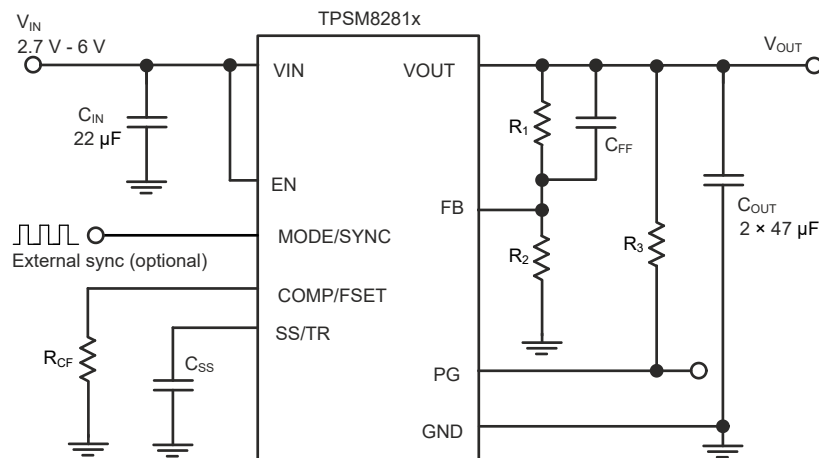


Figure 8-1. Typical Application Schematic

#### 8.2.1 Design Requirements

The design guidelines provide a component selection to operate the device within the recommended operating conditions.

Table 8-1. List of Components

REFERENCE	DESCRIPTION	MANUFACTURER <sup>(1)</sup>
IC	TPSM82816	Texas Instruments
C <sub>IN</sub>	22 µF / X7R / 6.3 V; GRM21BZ1AJ226ME15L	Murata
C <sub>OUT</sub> for V <sub>OUT</sub> < 1 V	3 × 47 µF / X6S / 6.3 V; GRM21BC80J476ME01L	Murata
C <sub>OUT</sub> for V <sub>OUT</sub> ≥ 1 V	2 × 47 µF / X6S / 6.3 V; GRM21BC80J476ME01L	Murata
C <sub>SS</sub>	4.7 nF	Any
R <sub>CF</sub>	10 kΩ	Any

**Table 8-1. List of Components (continued)**

REFERENCE	DESCRIPTION	MANUFACTURER <sup>(1)</sup>
C <sub>FF</sub>	10 pF	Any
R <sub>1</sub>	Depending on V <sub>OUT</sub>	Any
R <sub>2</sub>	Depending on V <sub>OUT</sub>	Any
R <sub>3</sub>	100 kΩ	Any

(1) See the [Third-party Products Disclaimer](#).

## 8.2.2 Detailed Design Procedure

### 8.2.2.1 Setting the Output Voltage

The output voltage of the TPSM8281x is adjustable. Choose resistors R1 and R2 to set the output voltage within a range of 0.6 V to 5.5 V according to [Equation 9](#). To keep the feedback (FB) net robust from noise, set R2 equal to or lower than 100 kΩ to have at least 6 μA of current in the voltage divider. Lower values of FB resistors achieve better noise immunity, and lower light load efficiency, as explained in the [Design Considerations for a Resistive Feedback Divider in a DC/DC Converter Technical Brief](#).

$$R_1 = R_2 \times \left( \frac{V_{OUT}}{V_{FB}} - 1 \right) = R_2 \times \left( \frac{V_{OUT}}{0.6V} - 1 \right) \quad (9)$$

**Table 8-2. Examples for setting the Output Voltage**

NOMINAL OUTPUT VOLTAGE V <sub>OUT</sub>	R <sub>1</sub>	R <sub>2</sub>	Max C <sub>FF</sub> at min C <sub>out</sub>	OUTPUT VOLTAGE
0.8 V	16.9 kΩ	51 kΩ	15 pF	0.7988 V
1.0 V	20 kΩ	30 kΩ	13 pF	1.0 V
1.1 V	39.2 kΩ	47 kΩ	6.8 pF	1.101 V
1.2 V	68 kΩ	68 kΩ	3.9 pF	1.2 V
1.5 V	76.8 kΩ	51 kΩ	3.3 pF	1.5 V
1.8 V	80.6 kΩ	40.2 kΩ	3.3 pF	1.803 V
2.5 V	47.5 kΩ	15 kΩ	5.6 pF	2.5 V
3.3 V	88.7 kΩ	19.6 kΩ	3 pF	3.315 V

### 8.2.2.2 Feedforward Capacitor

A feedforward capacitor (C<sub>FF</sub>) is required in parallel with R<sub>1</sub> to improve the transient response. The maximum value for the feedforward capacitor C<sub>FF</sub> at the minimum output capacitance is determined by [Equation 10](#):

$$C_{ff, max} [nF] = \frac{266.1 nF \times \Omega}{R_1} \quad (10)$$

For examples of feedforward capacitor values for common output voltages when using the minimum required output capacitance, refer to [Table 8-2](#).

To improve the load transient performance, more output capacitance can be added. Increasing the C<sub>FF</sub> above values given by [Equation 10](#) can also improve the response with larger C<sub>OUT</sub>. The converter's loop response must be evaluated either through a simple load step or by a phase margin measurement. For details, please refer to: [AN-1733 Load Transient Testing Simplified Application Report](#).

### 8.2.2.3 Input Capacitor

For most applications, TI recommends a 22-μF nominal ceramic capacitor. The input capacitor buffers the input voltage for transient events and also decouples the converter from the supply. A X7R or X7T multilayer ceramic capacitor (MLCC) is recommended for best filtering and must be placed between VIN and GND as close as possible to those pins. For applications with ambient temperatures below 85°C, a capacitor with X5R dielectric

can be used. Ceramic capacitors have a DC-Bias effect, which has a strong influence on the final effective capacitance. Choose the right capacitor carefully in combination with considering its package size and voltage rating. The minimum required input capacitance is 5  $\mu\text{F}$ .

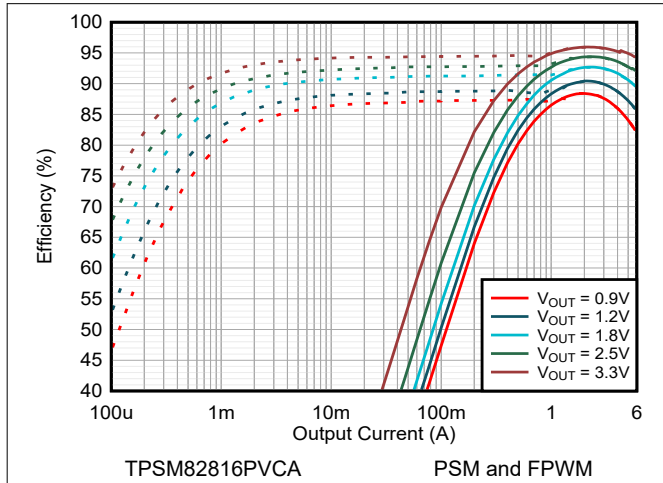
#### 8.2.2.4 Output Capacitor

The architecture of the TPSM8281x allows the use of ceramic output capacitors which have low equivalent series resistance (ESR). These capacitors provide low output voltage ripple and are recommended. To keep the low resistance up to high frequencies and to get a narrow capacitance variation with temperature, TI recommends to use an X7R or X7T dielectric. At temperatures below 85°C, an X5R dielectric can be used.

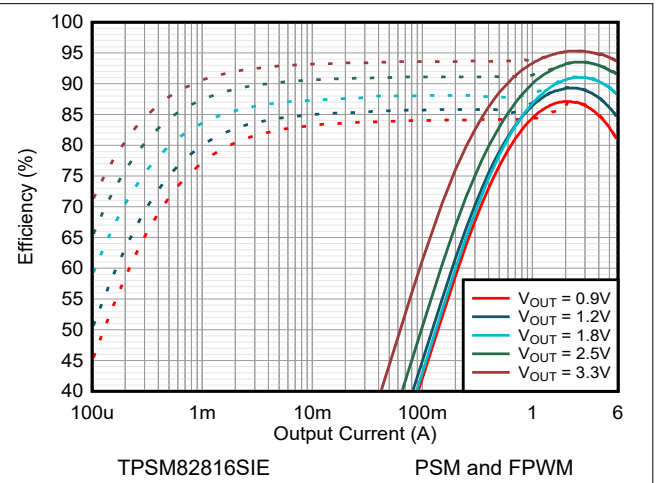
Using a higher capacitance value has advantages like smaller voltage ripple and a tighter DC output accuracy in power save mode. By changing the device compensation with a resistor from COMP/FSET to GND, the device can be compensated in two steps based on the minimum capacitance used on the output. The maximum capacitance is 470  $\mu\text{F}$  in any of the compensation settings. The minimum capacitance required on the output depends on the compensation setting and output voltage as shown in [Table 7-1](#). For output voltages below 1 V, the minimum required capacitance increases linearly from 32  $\mu\text{F}$  at 1 V to 53  $\mu\text{F}$  at 0.6 V with the compensation setting for smallest output capacitance. The other compensation setting scales the same. Ceramic capacitors have a DC-Bias effect, which has a strong influence on the final effective capacitance. Choose the right capacitor carefully in combination with considering the package size and voltage rating.

### 8.2.3 Application Curves

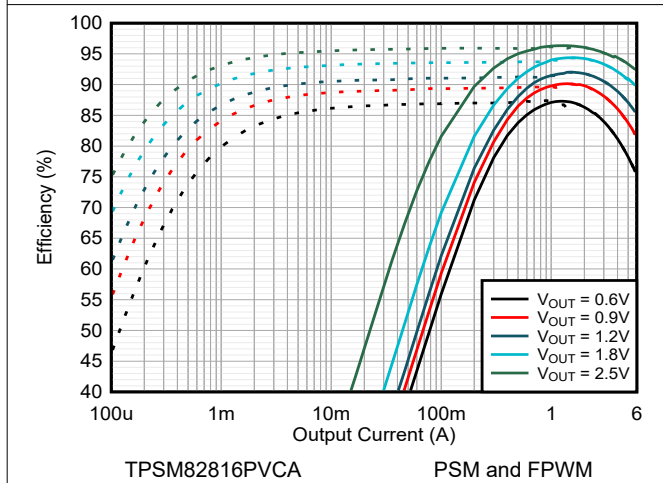
$T_A = 25^\circ\text{C}$ ,  $V_{IN} = 5\text{ V}$ ,  $V_{OUT} = 1.8\text{ V}$ , 1.8 MHz, PWM mode, BOM = [Table 8-1](#) unless otherwise noted.



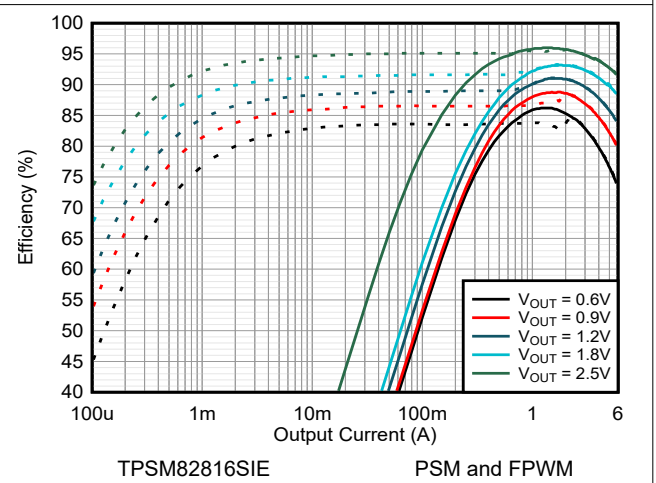
**Figure 8-2. Efficiency  $V_{IN} = 5.0\text{ V}$  and  $T_A = 25^\circ\text{C}$**



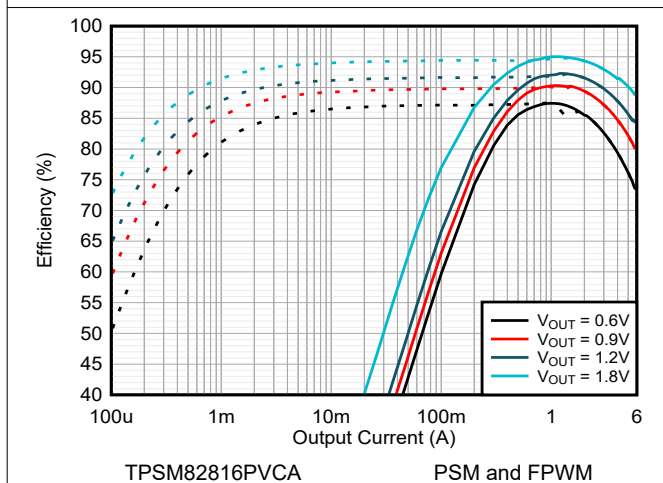
**Figure 8-3. Efficiency  $V_{IN} = 5.0\text{ V}$  and  $T_A = 25^\circ\text{C}$**



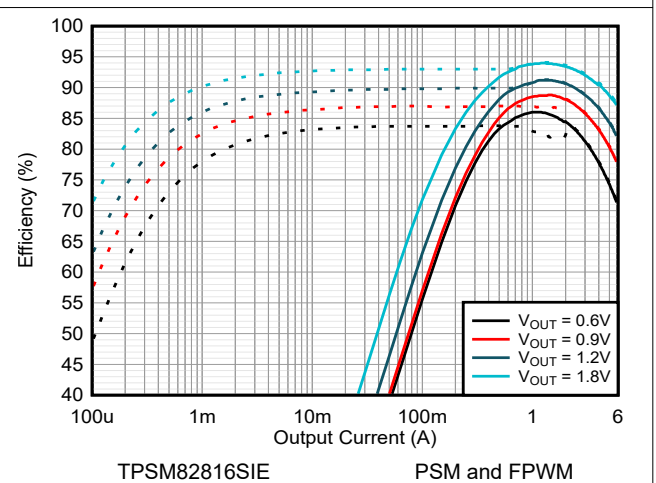
**Figure 8-4. Efficiency  $V_{IN} = 3.3\text{ V}$  and  $T_A = 25^\circ\text{C}$**



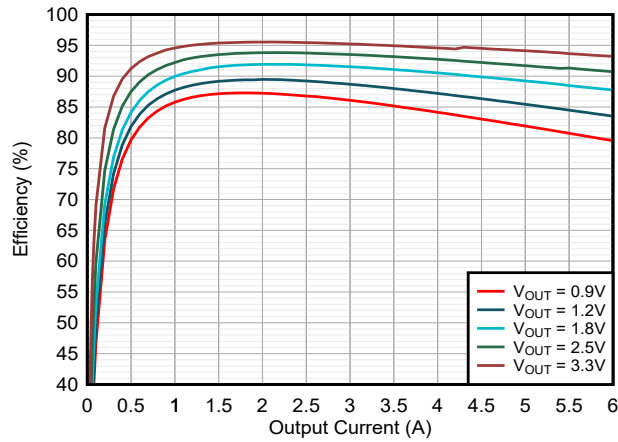
**Figure 8-5. Efficiency  $V_{IN} = 3.3\text{ V}$  and  $T_A = 25^\circ\text{C}$**



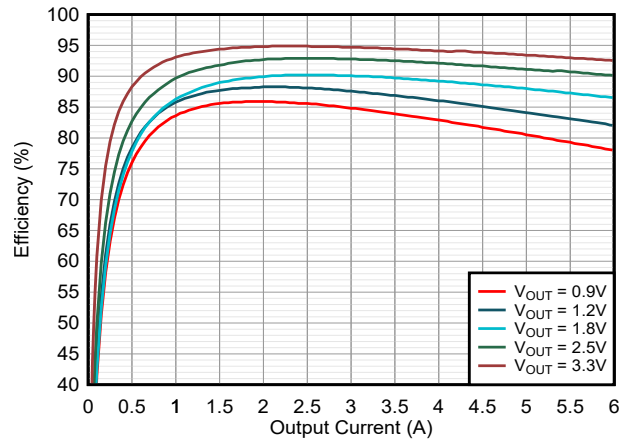
**Figure 8-6. Efficiency  $V_{IN} = 2.7\text{ V}$  and  $T_A = 25^\circ\text{C}$**



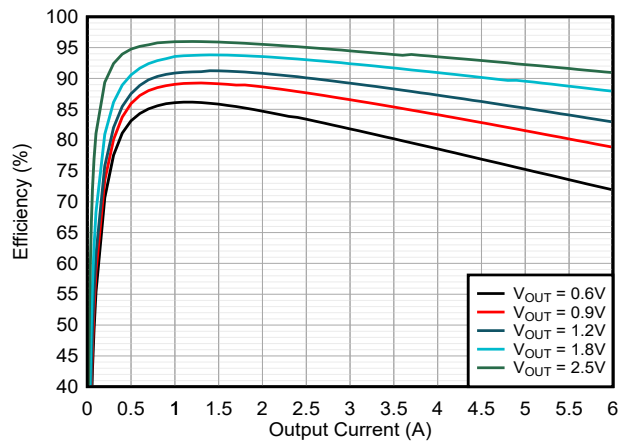
**Figure 8-7. Efficiency  $V_{IN} = 2.7\text{ V}$  and  $T_A = 25^\circ\text{C}$**



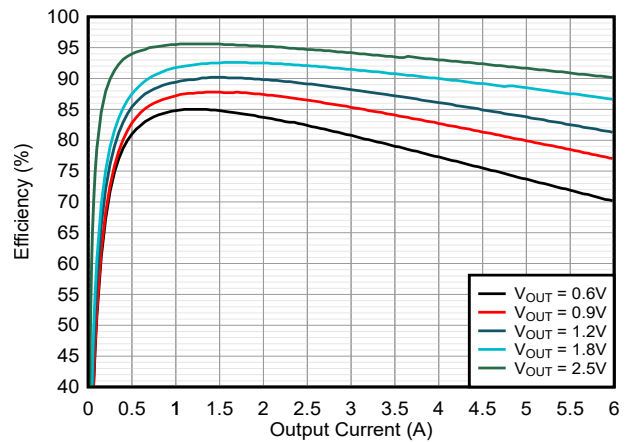
TPSM82816PVCA FPWM  
**Figure 8-8. Efficiency  $V_{IN} = 5.0\text{ V}$  and  $T_A = 85^\circ\text{C}$**



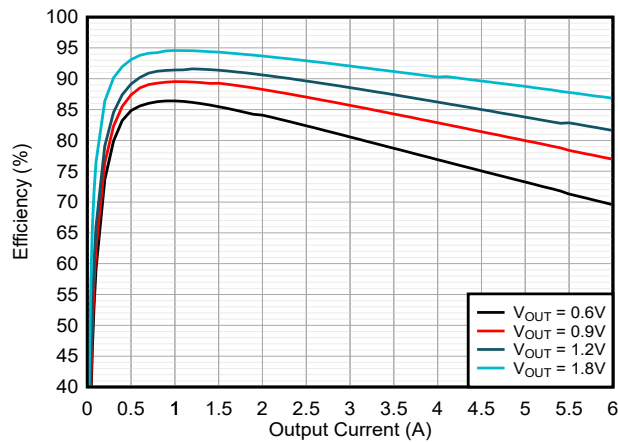
TPSM82816SIE FPWM  
**Figure 8-9. Efficiency  $V_{IN} = 5.0\text{ V}$  and  $T_A = 85^\circ\text{C}$**



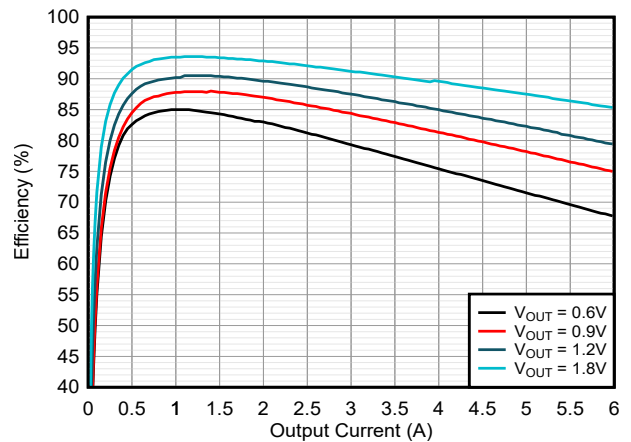
TPSM82816PVCA FPWM  
**Figure 8-10. Efficiency  $V_{IN} = 3.3\text{ V}$  and  $T_A = 85^\circ\text{C}$**



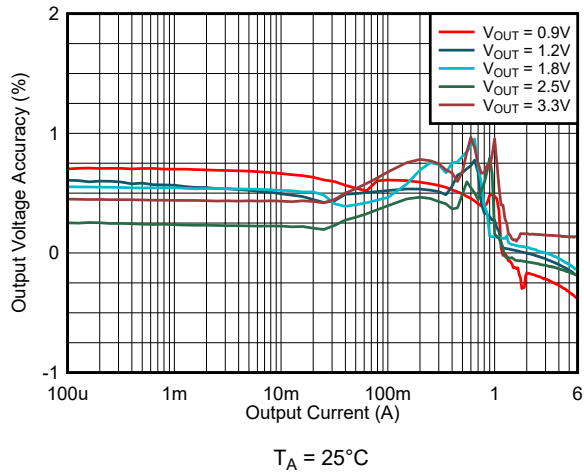
TPSM82816SIE FPWM  
**Figure 8-11. Efficiency  $V_{IN} = 3.3\text{ V}$  and  $T_A = 85^\circ\text{C}$**



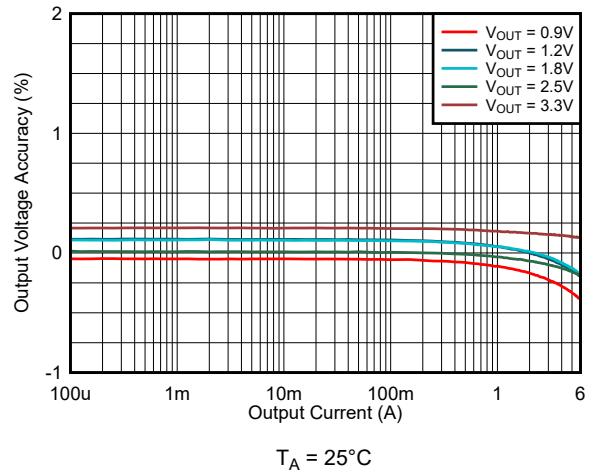
TPSM82816PVCA FPWM  
**Figure 8-12. Efficiency  $V_{IN} = 2.7\text{ V}$  and  $T_A = 85^\circ\text{C}$**



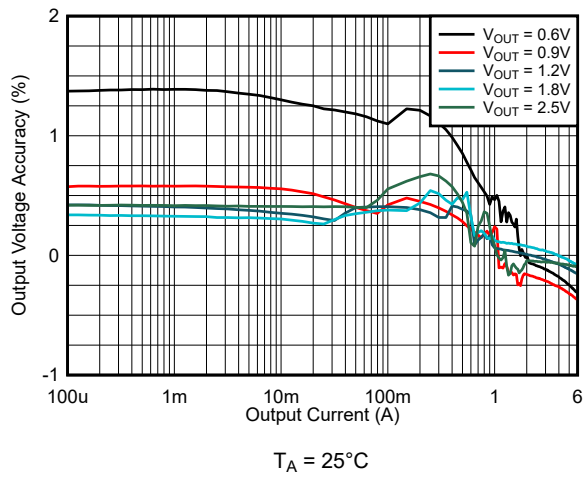
TPSM82816SIE FPWM  
**Figure 8-13. Efficiency  $V_{IN} = 2.7\text{ V}$  and  $T_A = 85^\circ\text{C}$**



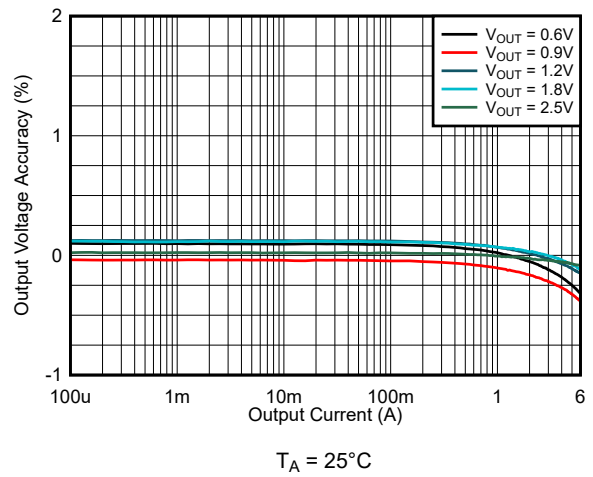
**Figure 8-14. Load Regulation  $V_{IN} = 5.0\text{ V}$  (PSM)**



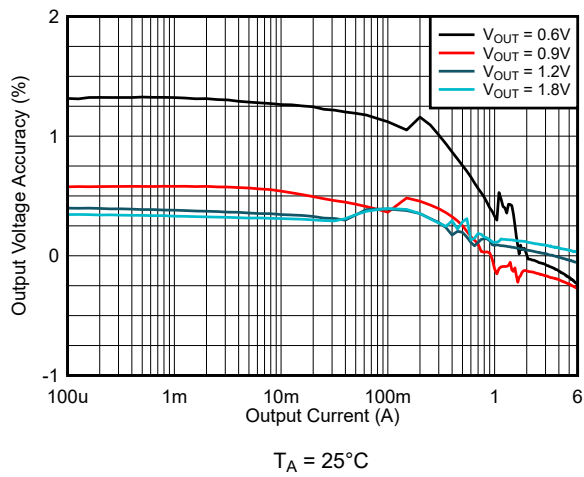
**Figure 8-15. Load Regulation  $V_{IN} = 5.0\text{ V}$  (FPWM)**



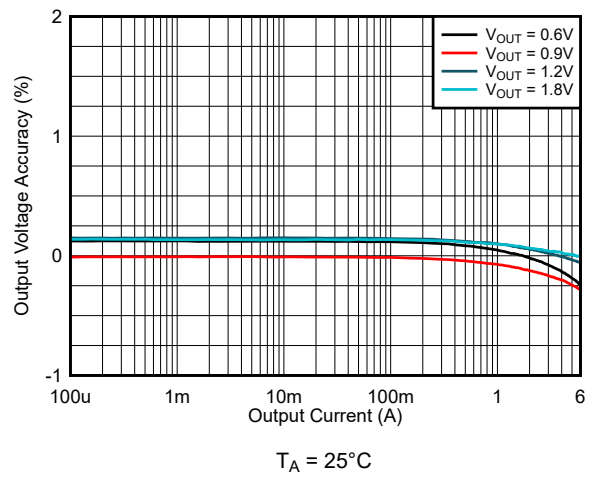
**Figure 8-16. Load Regulation  $V_{IN} = 3.3\text{ V}$  (PSM)**



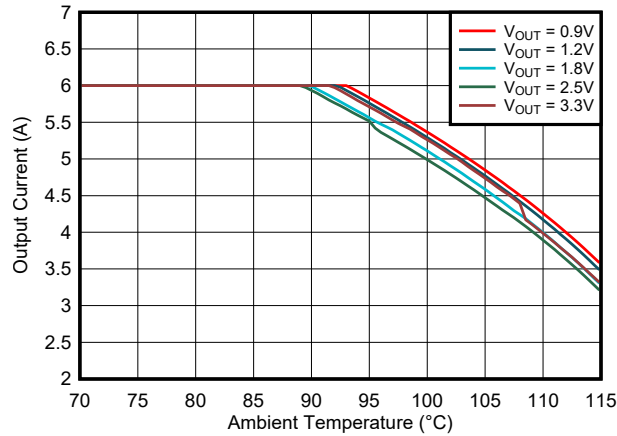
**Figure 8-17. Load Regulation  $V_{IN} = 3.3\text{ V}$  (FPWM)**



**Figure 8-18. Load Regulation  $V_{IN} = 2.7\text{ V}$  (PSM)**

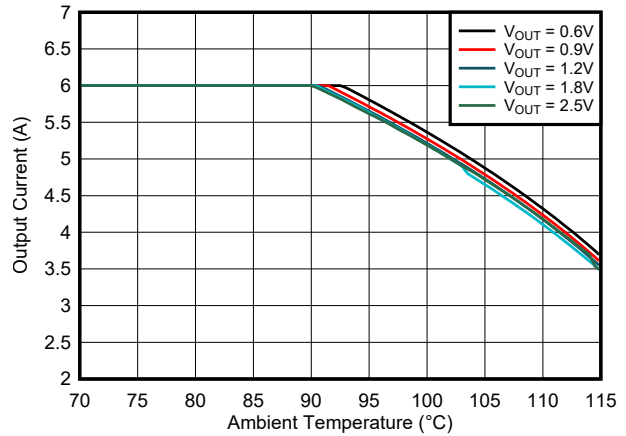


**Figure 8-19. Load Regulation  $V_{IN} = 2.7\text{ V}$  (FPWM)**



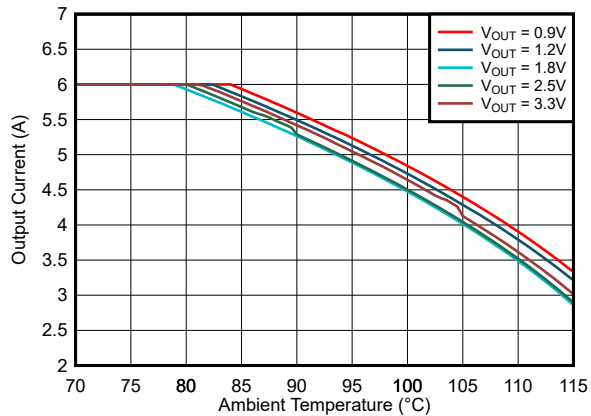
$R_{\theta JA} = 26.6^{\circ}\text{C/W}$     $f_{\text{SW}} = 1.8 \text{ MHz}$     $T_{\text{J,max}} = 125^{\circ}\text{C}$

**Figure 8-20. TPSM82816PVCA Safe Operating Area**  
 $V_{\text{IN}} = 5.0 \text{ V}$



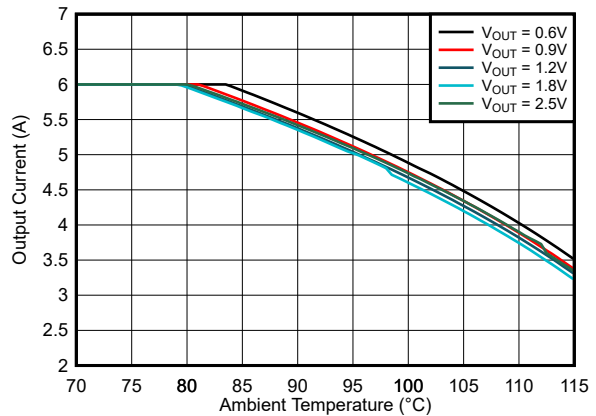
$R_{\theta JA} = 26.6^{\circ}\text{C/W}$     $f_{\text{SW}} = 1.8 \text{ MHz}$     $T_{\text{J,max}} = 125^{\circ}\text{C}$

**Figure 8-21. TPSM82816PVCA Safe Operating Area**  
 $V_{\text{IN}} = 3.3 \text{ V}$



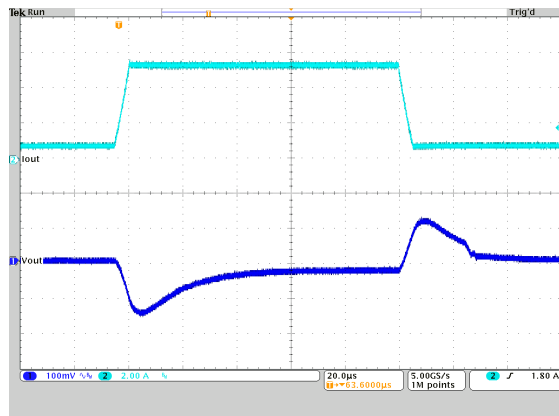
$R_{\theta JA} = 32.2^{\circ}\text{C/W}$     $f_{\text{SW}} = 1.8 \text{ MHz}$     $T_{\text{J,max}} = 125^{\circ}\text{C}$

**Figure 8-22. TPSM82816SIE Safe Operating Area**  
 $V_{\text{IN}} = 5.0 \text{ V}$



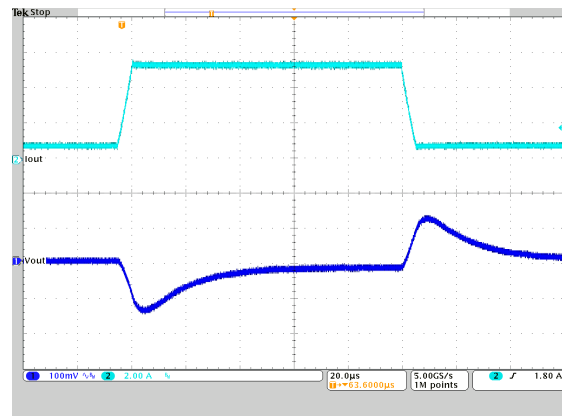
$R_{\theta JA} = 32.2^{\circ}\text{C/W}$     $f_{\text{SW}} = 1.8 \text{ MHz}$     $T_{\text{J,max}} = 125^{\circ}\text{C}$

**Figure 8-23. TPSM82816SIE Safe Operating Area**  
 $V_{\text{IN}} = 3.3 \text{ V}$



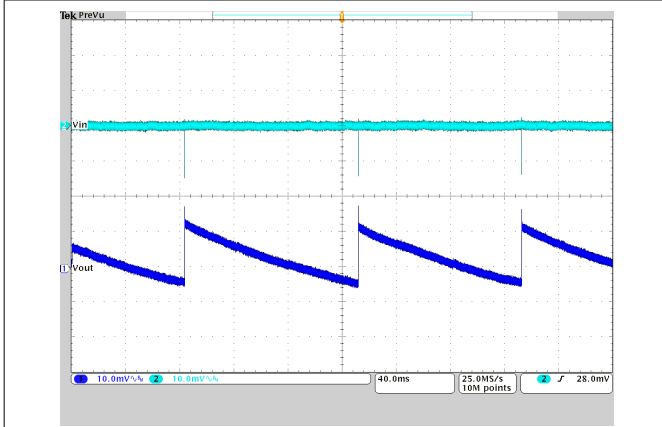
$V_{\text{OUT}} = 1.8 \text{ V}$    PSM    $T_{\text{A}} = 25^{\circ}\text{C}$   
 $V_{\text{IN}} = 5.0 \text{ V}$     $I_{\text{OUT}} = 0.6 \text{ A to } 5.4 \text{ A to } 0.6 \text{ A}$

**Figure 8-24. Load Transient Response**



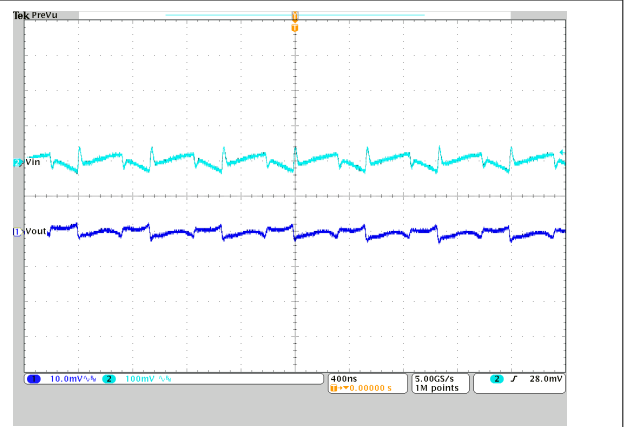
$V_{\text{OUT}} = 1.8 \text{ V}$    FPWM    $T_{\text{A}} = 25^{\circ}\text{C}$   
 $V_{\text{IN}} = 5.0 \text{ V}$     $I_{\text{OUT}} = 0.6 \text{ A to } 5.4 \text{ A to } 0.6 \text{ A}$

**Figure 8-25. Load Transient Response**



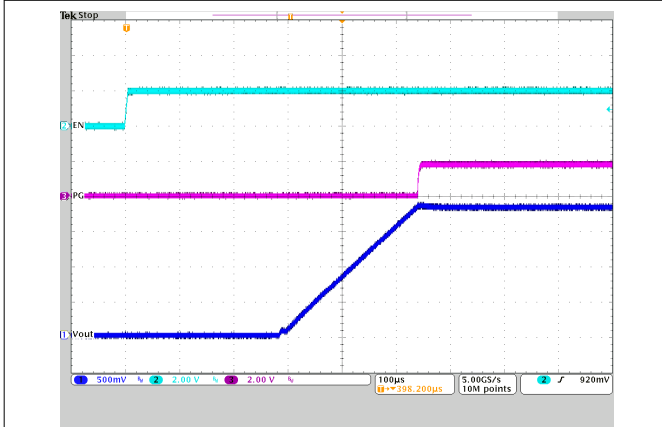
$V_{OUT} = 1.8\text{ V}$       PSM       $T_A = 25\text{ }^\circ\text{C}$   
 $I_{OUT} = 0\text{ A}$        $V_{IN} = 5.0\text{ V}$       BW = 20 MHz

**Figure 8-26. Output and Input Voltage Ripple**



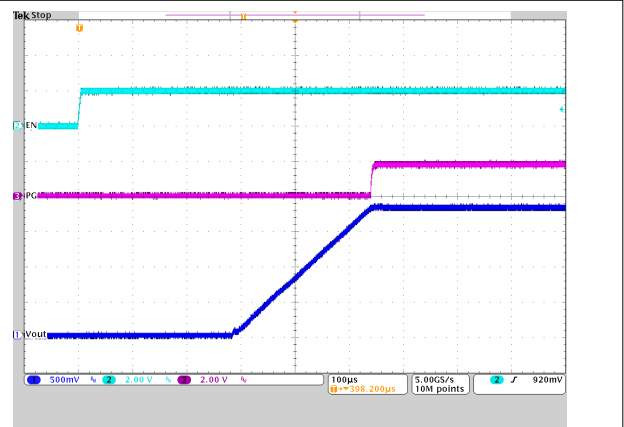
$V_{OUT} = 1.8\text{ V}$       PWM       $T_A = 25\text{ }^\circ\text{C}$   
 $I_{OUT} = 4\text{ A}$        $V_{IN} = 5.0\text{ V}$       BW = 20 MHz

**Figure 8-27. Output and Input Voltage Ripple**



$V_{OUT} = 1.8\text{ V}$       PSM       $T_A = 25\text{ }^\circ\text{C}$   
 $I_{OUT} = 0\text{ A}$        $V_{IN} = 5\text{ V}$        $C_{SS} = 4.7\text{ nF}$

**Figure 8-28. Start-Up Timing**



$V_{OUT} = 1.8\text{ V}$       FPWM       $T_A = 25\text{ }^\circ\text{C}$   
 $I_{OUT} = 4\text{ A}$        $V_{IN} = 5\text{ V}$        $C_{SS} = 4.7\text{ nF}$

**Figure 8-29. Start-Up Timing**

## 8.3 System Examples

### 8.3.1 Voltage Tracking

The SS/TR pin is externally driven by another voltage source to achieve output voltage tracking. The application circuit is shown in [Figure 8-30](#). From 0 V to 0.6 V, the internal reference voltage to the internal error amplifier follows the SS/TR pin voltage. When the SS/TR pin voltage is above 0.6 V, the voltage tracking is disabled and the FB pin voltage is regulated at 0.6 V. The device achieves ratiometric, as shown in [Figure 8-31](#) or coincidental (simultaneous) output tracking, as shown in [Figure 8-31](#).

The  $R_2$  value must be set properly to achieve accurate voltage tracking by taking the 10- $\mu$ A charging current into account. 1 k $\Omega$  or smaller is a sufficient value for  $R_2$ . For decreasing SS/TR pin voltage, the device does not sink current from the output when the device is in PSM. The resulting decrease of the output voltage can be slower than the SS/TR pin voltage if the load is light.

In case both devices need to run in forced PWM mode after start-up, TI recommends to tie the MODE/SYNC pin of the secondary device to the output voltage or the power-good signal of the primary device. The TPSM8281x has a duty cycle limitation defined by the minimum on time. For tracking down to low output voltages, the secondary device cannot follow after the minimum duty cycle is reached. Enabling FPWM mode while tracking is in progress allows the user to ramp down the output voltage close to 0 V.

When driving the SS/TR pin with an external voltage, do not exceed the voltage rating of the SS/TR pin.

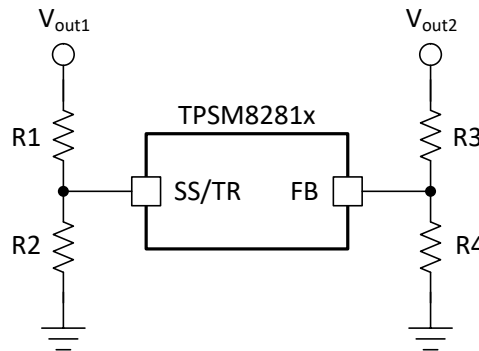


Figure 8-30. Schematic for Output Voltage Tracking

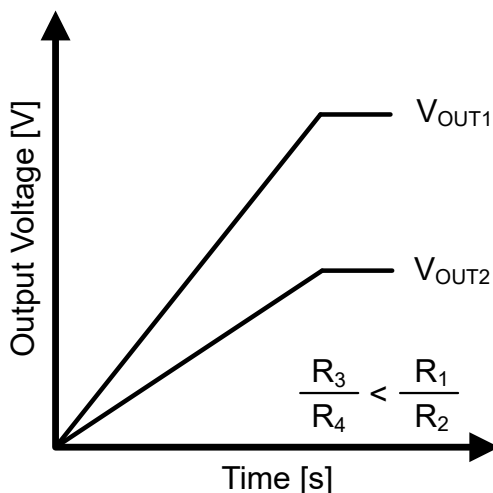


Figure 8-31. Ratiometric Voltage Tracking

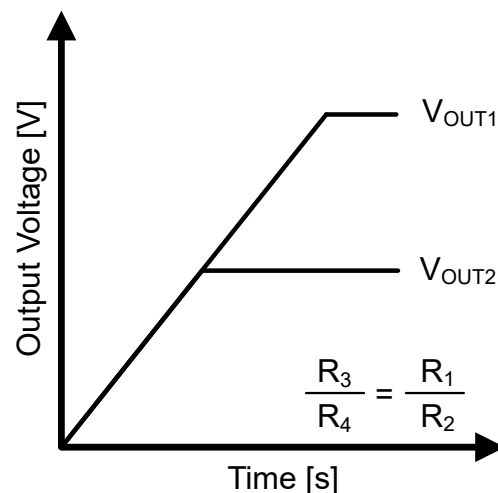


Figure 8-32. Coincidental Voltage Tracking

### 8.3.2 Synchronizing to an External Clock

The TPSM8281x can be synchronized by applying a clock on the MODE/SYNC pin. There is no need for any additional circuitry as long as the input signal meets the requirements given in the electrical specifications. See Figure 8-33. The clock can be applied, changed, and removed during operation. TI recommends the value of the  $R_{CF}$  resistor be chosen such that the internally defined frequency and the externally-applied frequency are close to each other to have a fast settling time to the external clock. Synchronizing to a clock is not possible if the COMP/FSET pin is connected to  $V_{in}$  or GND. Figure 8-34 and Figure 8-35 show the external clock being applied and removed. When an external clock is applied, the device operates in PWM mode.

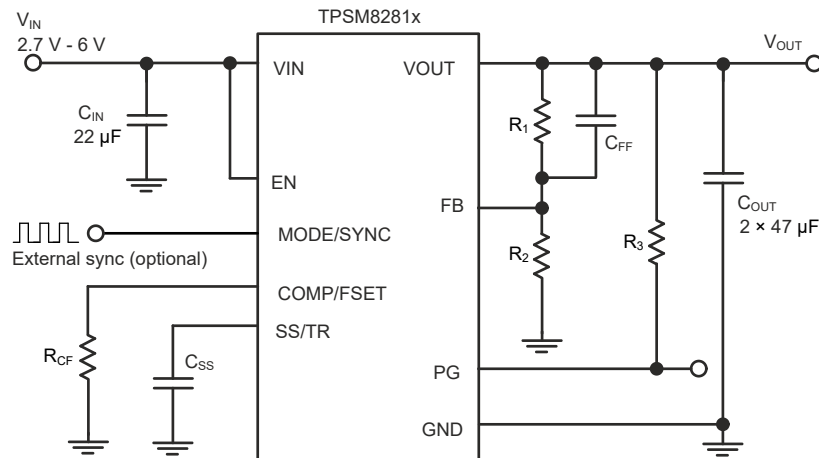
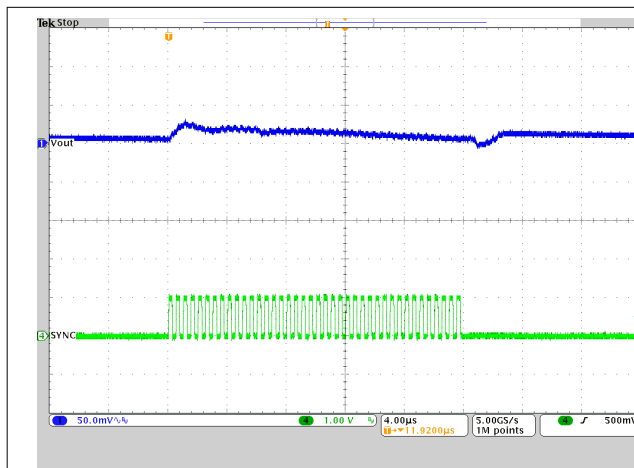
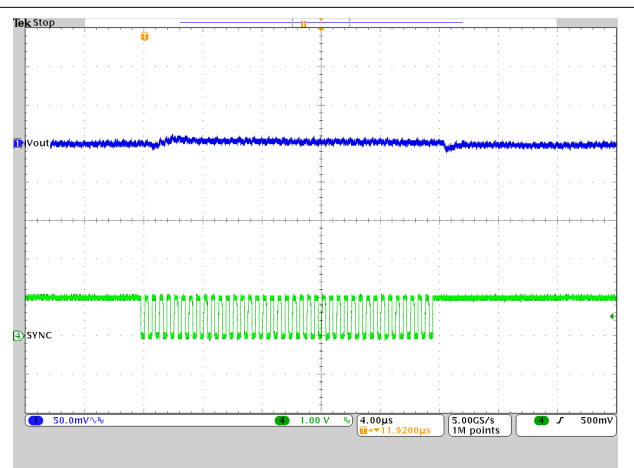


Figure 8-33. Frequency Synchronization



$V_{IN} = 5\text{ V}$        $R_{CF} = 10\text{ k}\Omega$        $I_{OUT} = 0.01\text{ A}$   
 $V_{OUT} = 1.8\text{ V}$        $f_{EXT} = 2.0\text{ MHz}$

Figure 8-34. Applying and Removing the Synchronization Signal (PSM)



$V_{IN} = 5\text{ V}$        $R_{CF} = 10\text{ k}\Omega$        $I_{OUT} = 1\text{ A}$   
 $V_{OUT} = 1.8\text{ V}$        $f_{EXT} = 2.0\text{ MHz}$

Figure 8-35. Applying and Removing the Synchronization Signal (FPWM)

### 8.4 Power Supply Recommendations

The TPSM8281x device family has no special requirements for the input power supply. The output current of the input power supply must be rated according to the supply voltage, output voltage, and output current of the TPSM8281x.

## 8.5 Layout

### 8.5.1 Layout Guidelines

A proper layout is critical for the operation of any switched mode power supply, especially at high switching frequencies. Therefore, the PCB layout of the TPSM8281x demands careful attention to make sure of best performance. A poor layout can lead to issues like bad line and load regulation, instability, increased EMI radiation, and noise sensitivity. Refer to the [Five Steps to a Great PCB Layout for a Step-Down Converter Technical Brief](#) for a detailed discussion of general best practices. Specific recommendations for the device are listed below.

- Place the input capacitor as close as possible to the VIN and GND pins of the device. This placement is the most critical component placement. Route the input capacitor directly to the VIN and GND pins avoiding vias.
- Place the output capacitor ground close to the VOUT and GND pins and route directly avoiding vias.
- Place the FB resistors, R1 and R2, and the feedforward capacitor  $C_{FF}$  close to the FB pin and place  $C_{SS}$  close to the SS/TR pin to minimize noise pickup.
- Place the  $R_{CF}$  resistor close to the COMP/FSET pin to minimize the parasitic capacitance.
- Note that the recommended layout is implemented on the EVM and shown in the [TPSM8281xEVM-089 Evaluation Module User's Guide](#), [TPSM8281xPEVM-062 Evaluation Module User's Guide](#) and in [Layout Example](#).
- Note that the recommended land pattern for the TPSM8281x is shown at the end of this data sheet. For best manufacturing results, create the pads as solder mask defined (SMD), when some pins (such as VIN, VOUT, and GND) are connected to large copper planes. Using SMD pads keeps each pad the same size and avoids solder pulling the device during reflow.

### 8.5.2 Layout Example

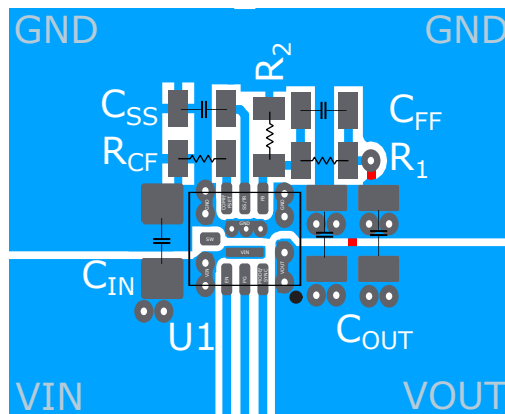
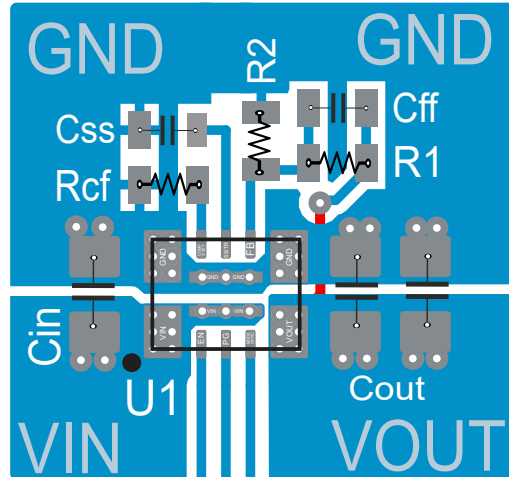


Figure 8-36. Example Layout VCA



**Figure 8-37. Example Layout SIE**

### 8.5.2.1 Thermal Consideration

The TPSM8281x module temperature must be kept less than the maximum rating of 125°C. The following are three basic approaches for enhancing thermal performance:

- Improve the power dissipation capability of the PCB design
- Improve the thermal coupling of the component to the PCB
- Introduce airflow into the system

To estimate the approximate module temperature of the TPSM8281x, apply the typical efficiency stated in this data sheet to the desired application condition to compute the power dissipation of the module. Then, calculate the module temperature rise by multiplying the power dissipation by the thermal resistance. For more details on how to use the thermal parameters in real applications, see the application notes: [Thermal Characteristics of Linear and Logic Packages Using JEDEC PCB Designs](#) and [Semiconductor and IC Package Thermal Metrics](#).

The thermal values in [Thermal Information](#) used the recommended land pattern, shown at the end of this data sheet, including the vias as they are shown. The TPSM8281x was simulated on a PCB defined by JEDEC 51-7. For the SIE package, the vias on the GND pins were connected to copper on other PCB layers, while the remaining vias were not connected to other layers.

## 9 Device and Documentation Support

### 9.1 Device Support

#### 9.1.1 Third-Party Products Disclaimer

TI'S PUBLICATION OF INFORMATION REGARDING THIRD-PARTY PRODUCTS OR SERVICES DOES NOT CONSTITUTE AN ENDORSEMENT REGARDING THE SUITABILITY OF SUCH PRODUCTS OR SERVICES OR A WARRANTY, REPRESENTATION OR ENDORSEMENT OF SUCH PRODUCTS OR SERVICES, EITHER ALONE OR IN COMBINATION WITH ANY TI PRODUCT OR SERVICE.

### 9.2 Documentation Support

#### 9.2.1 Related Documentation

For related documentation see the following:

- Texas Instruments, [TPSM8281xEVM-089 Evaluation Module User's Guide](#)
- Texas Instruments, [Achieving a Clean Start-up by Using a DC/DC Converter with a Precise Enable-pin Threshold Technical Brief](#)
- Texas Instruments, [Design Considerations for a Resistive Feedback Divider in a DC/DC Converter Technical Brief](#)
- Texas Instruments, [AN-1733 Load Transient Testing Simplified Application Report](#)
- Texas Instruments, [Five Steps to a Great PCB Layout for a Step-Down Converter Technical Brief](#)
- Texas Instruments, [Thermal Characteristics of Linear and Logic Packages Using JEDEC PCB Designs](#)

### 9.3 Receiving Notification of Documentation Updates

To receive notification of documentation updates, navigate to the device product folder on [ti.com](#). Click on *Notifications* to register and receive a weekly digest of any product information that has changed. For change details, review the revision history included in any revised document.

### 9.4 Support Resources

[TI E2E™ support forums](#) are an engineer's go-to source for fast, verified answers and design help — straight from the experts. Search existing answers or ask your own question to get the quick design help you need.

Linked content is provided "AS IS" by the respective contributors. They do not constitute TI specifications and do not necessarily reflect TI's views; see TI's [Terms of Use](#).

### 9.5 Trademarks

MicroSIP™, and MagPack™, and TI E2E™ are trademarks of Texas Instruments. All trademarks are the property of their respective owners.

### 9.6 Electrostatic Discharge Caution



This integrated circuit can be damaged by ESD. Texas Instruments recommends that all integrated circuits be handled with appropriate precautions. Failure to observe proper handling and installation procedures can cause damage.

ESD damage can range from subtle performance degradation to complete device failure. Precision integrated circuits may be more susceptible to damage because very small parametric changes could cause the device not to meet its published specifications.

### 9.7 Glossary

[TI Glossary](#) This glossary lists and explains terms, acronyms, and definitions.

## 10 Revision History

NOTE: Page numbers for previous revisions may differ from page numbers in the current version.

<b>Changes from Revision * (December 2022) to Revision A (June 2024)</b>	<b>Page</b>
• Added TPSM82814PVCAR (product preview) and TPSM82816PVCAR (advance information) to the data sheet.....	<b>1</b>

---

## 11 Mechanical, Packaging, and Orderable Information

The following pages include mechanical, packaging, and orderable information. This information is the most current data available for the designated devices. This data is subject to change without notice and revision of this document. For browser-based versions of this data sheet, refer to the left-hand navigation.

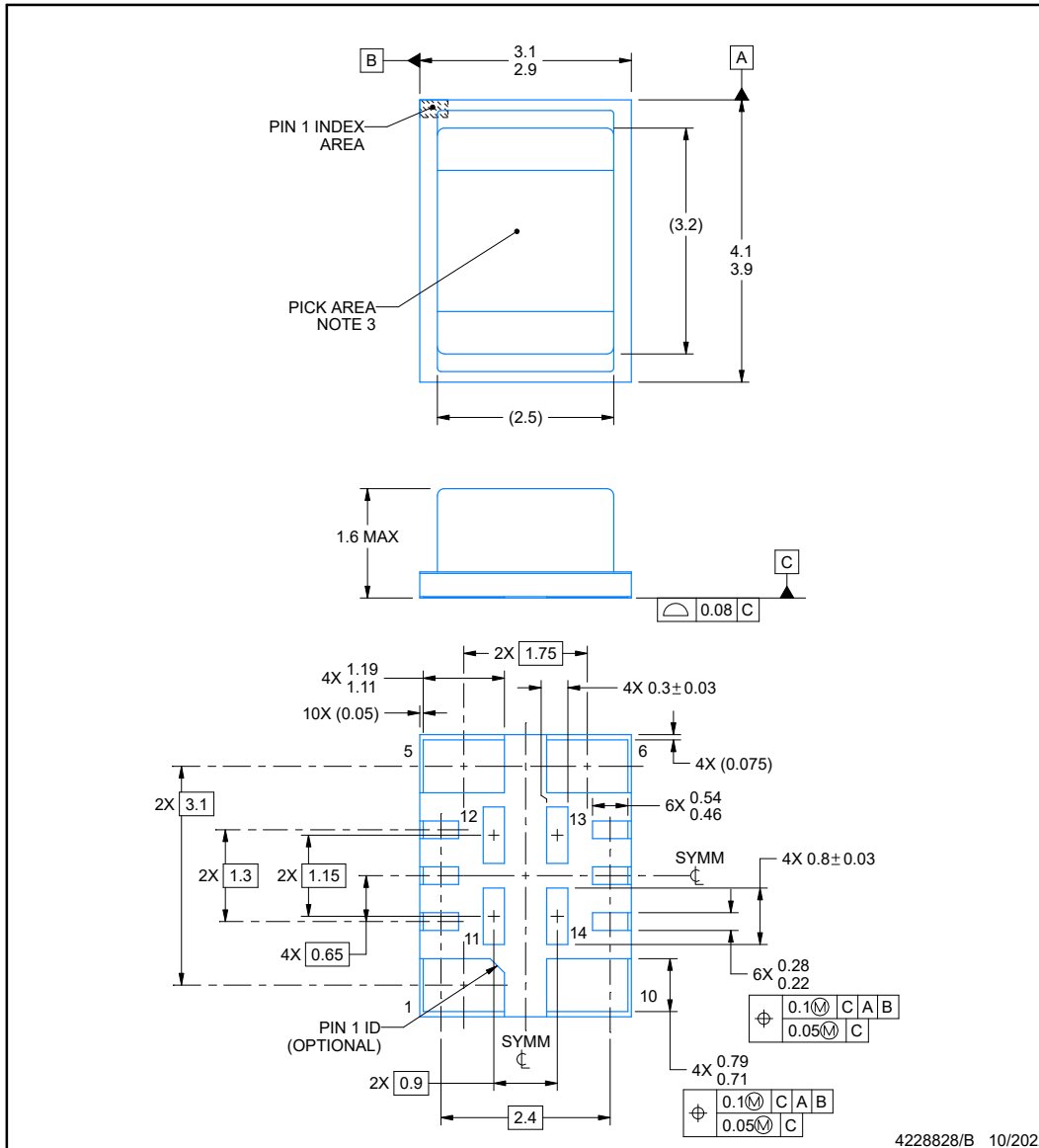


**SIE0014A-C01**

**PACKAGE OUTLINE**

**uSIP™ - 1.6 mm max height**

MICRO SYSTEM IN PACKAGE



**NOTES:**

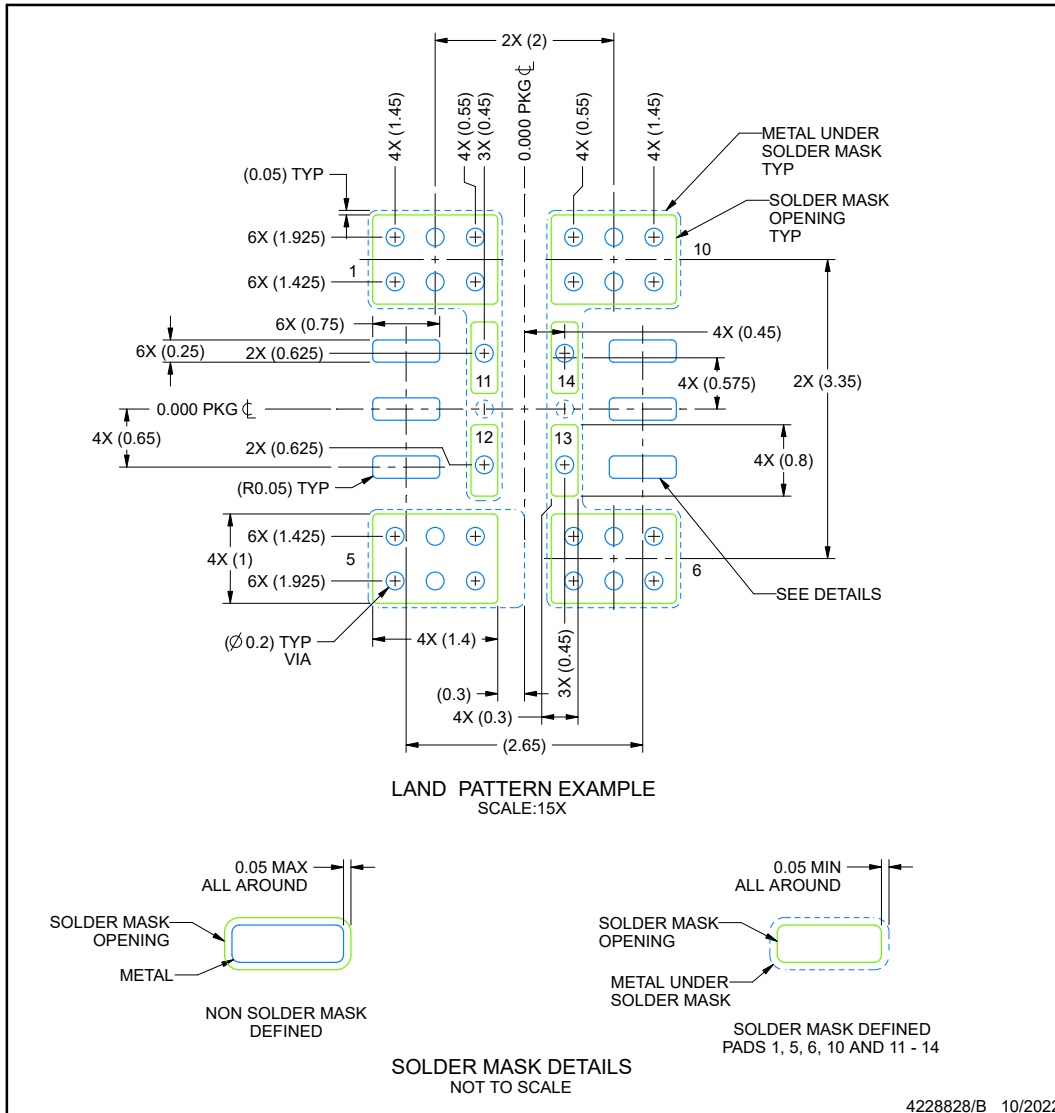
1. All linear dimensions are in millimeters. Any dimensions in parenthesis are for reference only. Dimensioning and tolerancing per ASME Y14.5M.
2. This drawing is subject to change without notice.
3. Pick and place nozzle  $\varnothing$  1.3 mm or smaller recommended.
4. The package thermal pads must be soldered to the printed circuit board for thermal and mechanical performance.

**EXAMPLE BOARD LAYOUT**

**SIE0014A-C01**

**uSIP™ - 1.6 mm max height**

MICRO SYSTEM IN PACKAGE



NOTES: (continued)

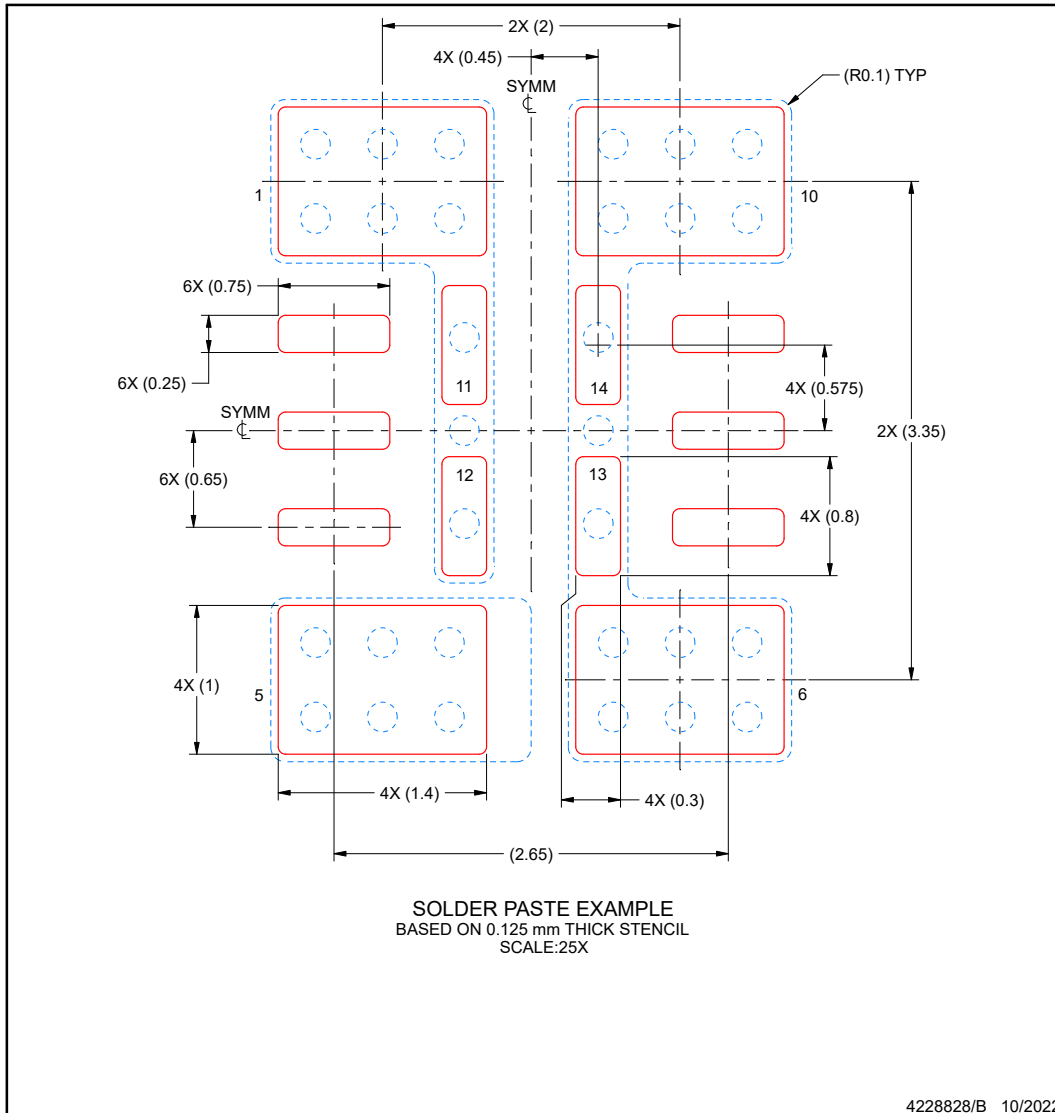
- This package is designed to be soldered to thermal pads on the board. For more information, see Texas Instruments literature number SLUA271 ([www.ti.com/lit/sluea271](http://www.ti.com/lit/sluea271)).
- Vias are optional depending on application, refer to device data sheet. If any vias are implemented, refer to their locations shown on this view. It is recommended that vias under paste be filled, plugged or tented.

**EXAMPLE STENCIL DESIGN**

**SIE0014A-C01**

**uSIP™ - 1.6 mm max height**

MICRO SYSTEM IN PACKAGE



NOTES: (continued)

7. Laser cutting apertures with trapezoidal walls and rounded corners may offer better paste release. IPC-7525 may have alternate design recommendations.

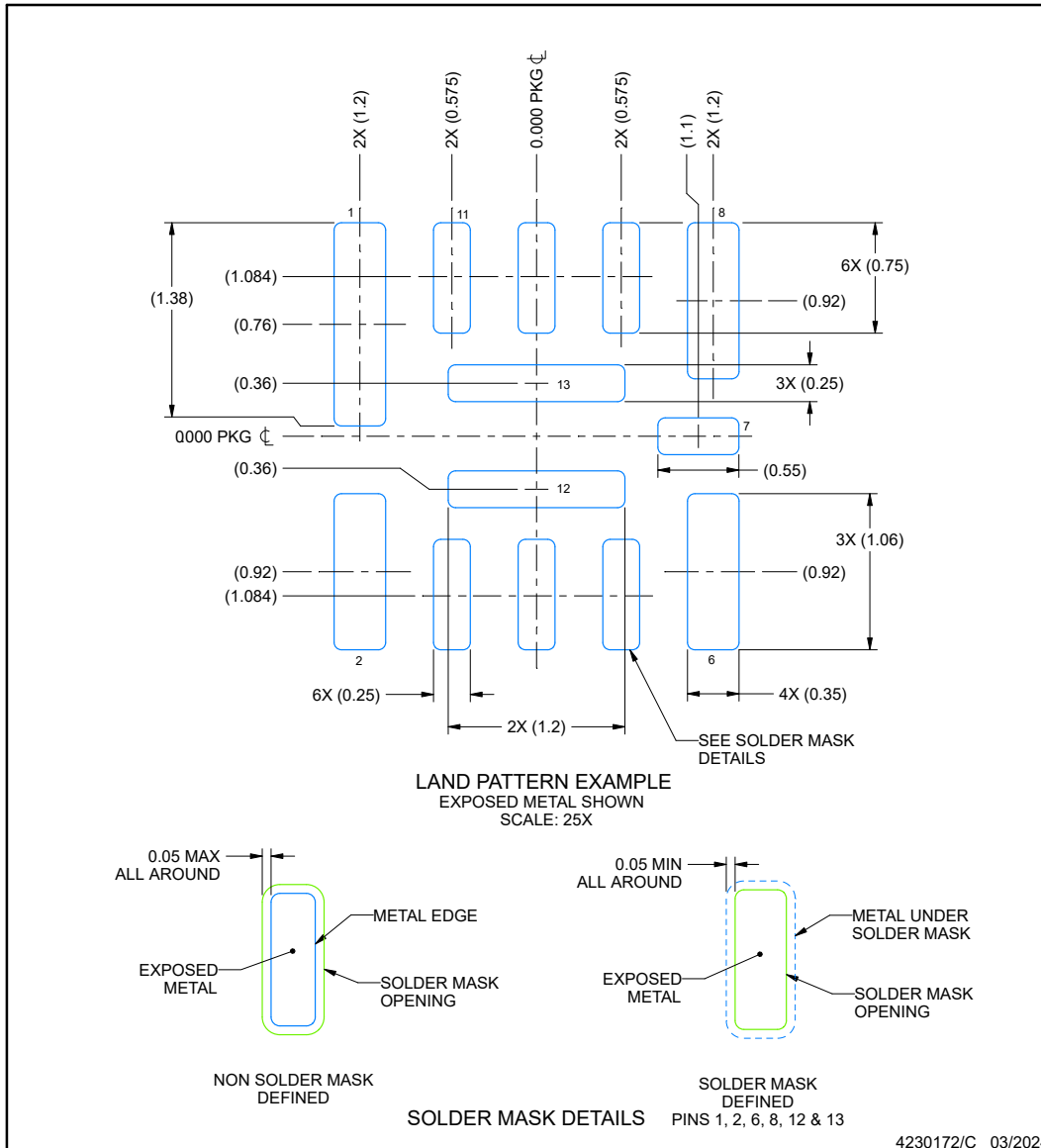


**EXAMPLE BOARD LAYOUT**

**VCA0013A**

**QFN-FCMOD - 2 mm max height**

PLASTIC QUAD FLATPACK - NO LEAD



NOTES: (continued)

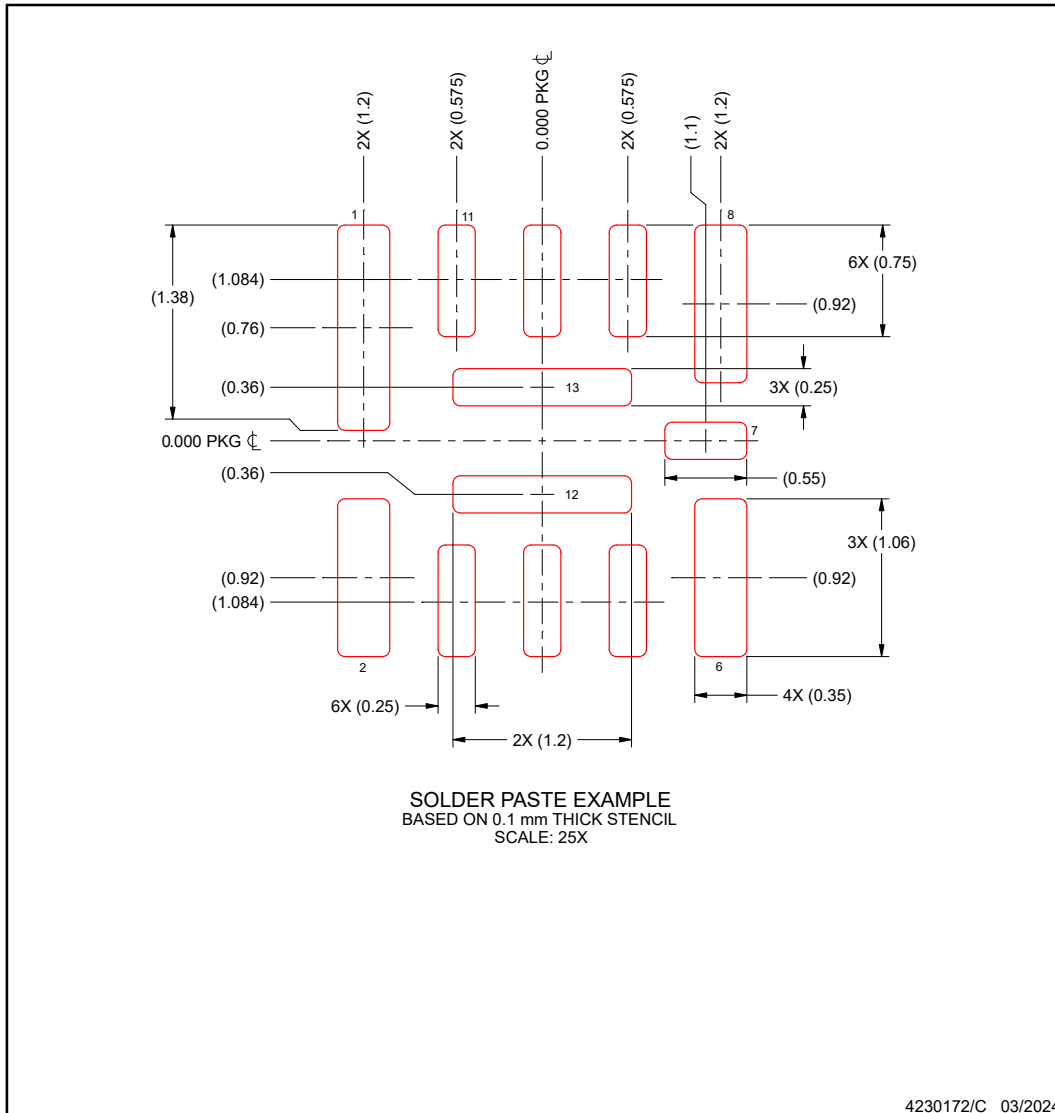
3. This package is designed to be soldered to a thermal pad on the board. For more information, see Texas Instruments literature number SLUA271 ([www.ti.com/lit/sluea271](http://www.ti.com/lit/sluea271))

## EXAMPLE STENCIL DESIGN

VCA0013A

QFN-FCMOD - 2 mm max height

PLASTIC QUAD FLATPACK - NO LEAD



NOTES: (continued)

4. Laser cutting apertures with trapezoidal walls and rounded corners may offer better paste release. IPC-7525 may have alternate design recommendations.

**PACKAGING INFORMATION**

Orderable Device	Status (1)	Package Type	Package Drawing	Pins	Package Qty	Eco Plan (2)	Lead finish/ Ball material (6)	MSL Peak Temp (3)	Op Temp (°C)	Device Marking (4/5)	Samples
TPSM82816SIER	ACTIVE	uSiP	SIE	14	3000	RoHS & Green	ENEPIG	Level-2-260C-1 YEAR	-40 to 125		Samples

(1) The marketing status values are defined as follows:

**ACTIVE:** Product device recommended for new designs.

**LIFEBUY:** TI has announced that the device will be discontinued, and a lifetime-buy period is in effect.

**NRND:** Not recommended for new designs. Device is in production to support existing customers, but TI does not recommend using this part in a new design.

**PREVIEW:** Device has been announced but is not in production. Samples may or may not be available.

**OBSOLETE:** TI has discontinued the production of the device.

(2) **RoHS:** TI defines "RoHS" to mean semiconductor products that are compliant with the current EU RoHS requirements for all 10 RoHS substances, including the requirement that RoHS substance do not exceed 0.1% by weight in homogeneous materials. Where designed to be soldered at high temperatures, "RoHS" products are suitable for use in specified lead-free processes. TI may reference these types of products as "Pb-Free".

**RoHS Exempt:** TI defines "RoHS Exempt" to mean products that contain lead but are compliant with EU RoHS pursuant to a specific EU RoHS exemption.

**Green:** TI defines "Green" to mean the content of Chlorine (Cl) and Bromine (Br) based flame retardants meet JS709B low halogen requirements of <=1000ppm threshold. Antimony trioxide based flame retardants must also meet the <=1000ppm threshold requirement.

(3) MSL, Peak Temp. - The Moisture Sensitivity Level rating according to the JEDEC industry standard classifications, and peak solder temperature.

(4) There may be additional marking, which relates to the logo, the lot trace code information, or the environmental category on the device.

(5) Multiple Device Markings will be inside parentheses. Only one Device Marking contained in parentheses and separated by a "~" will appear on a device. If a line is indented then it is a continuation of the previous line and the two combined represent the entire Device Marking for that device.

(6) Lead finish/Ball material - Orderable Devices may have multiple material finish options. Finish options are separated by a vertical ruled line. Lead finish/Ball material values may wrap to two lines if the finish value exceeds the maximum column width.

**Important Information and Disclaimer:**The information provided on this page represents TI's knowledge and belief as of the date that it is provided. TI bases its knowledge and belief on information provided by third parties, and makes no representation or warranty as to the accuracy of such information. Efforts are underway to better integrate information from third parties. TI has taken and continues to take reasonable steps to provide representative and accurate information but may not have conducted destructive testing or chemical analysis on incoming materials and chemicals. TI and TI suppliers consider certain information to be proprietary, and thus CAS numbers and other limited information may not be available for release.

In no event shall TI's liability arising out of such information exceed the total purchase price of the TI part(s) at issue in this document sold by TI to Customer on an annual basis.

## IMPORTANT NOTICE AND DISCLAIMER

TI PROVIDES TECHNICAL AND RELIABILITY DATA (INCLUDING DATA SHEETS), DESIGN RESOURCES (INCLUDING REFERENCE DESIGNS), APPLICATION OR OTHER DESIGN ADVICE, WEB TOOLS, SAFETY INFORMATION, AND OTHER RESOURCES "AS IS" AND WITH ALL FAULTS, AND DISCLAIMS ALL WARRANTIES, EXPRESS AND IMPLIED, INCLUDING WITHOUT LIMITATION ANY IMPLIED WARRANTIES OF MERCHANTABILITY, FITNESS FOR A PARTICULAR PURPOSE OR NON-INFRINGEMENT OF THIRD PARTY INTELLECTUAL PROPERTY RIGHTS.

These resources are intended for skilled developers designing with TI products. You are solely responsible for (1) selecting the appropriate TI products for your application, (2) designing, validating and testing your application, and (3) ensuring your application meets applicable standards, and any other safety, security, regulatory or other requirements.

These resources are subject to change without notice. TI grants you permission to use these resources only for development of an application that uses the TI products described in the resource. Other reproduction and display of these resources is prohibited. No license is granted to any other TI intellectual property right or to any third party intellectual property right. TI disclaims responsibility for, and you will fully indemnify TI and its representatives against, any claims, damages, costs, losses, and liabilities arising out of your use of these resources.

TI's products are provided subject to [TI's Terms of Sale](#) or other applicable terms available either on [ti.com](https://www.ti.com) or provided in conjunction with such TI products. TI's provision of these resources does not expand or otherwise alter TI's applicable warranties or warranty disclaimers for TI products.

TI objects to and rejects any additional or different terms you may have proposed.

Mailing Address: Texas Instruments, Post Office Box 655303, Dallas, Texas 75265  
Copyright © 2024, Texas Instruments Incorporated